



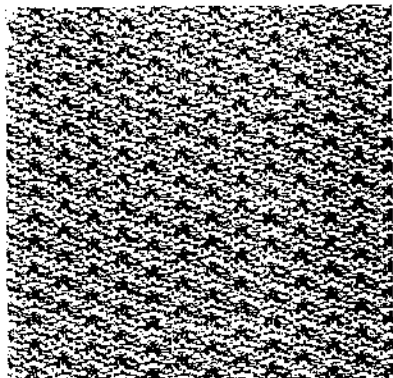
**INSTRUCTION MANUAL
FOR
MODEL KH-260**

CONTENTS

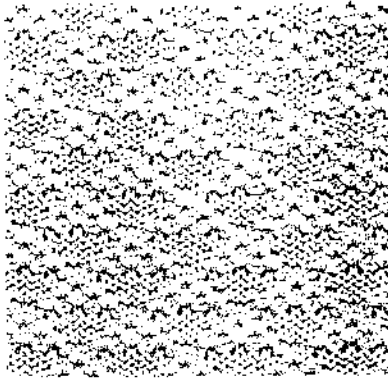
ORIGINAL PATTERNS	1
HOW TO USE THE KNITTING MACHINE	
1. SETTING UP THE KNITTING MACHINE	7
2. PARTS NAME	8
3. BEFORE STARTING TO KNIT	12
(1) NEEDLE POSITION	12
(2) ROW COUNTER	12
(3) TENSION DIAL	12
(4) CAST-ON COMB	12
(5) CAM BUTTON	13
(6) CHANGE KNOB	13
4. BASIC OPERATION	14
5. PATTERN KNITTING	18
PUNCH CARD	19
BASIC STEPS	20
TUCK STITCH PATTERN	22
TWO COLOUR TUCK STITCH PATTERN	24
SKIP STITCH PATTERN	25
TWO COLOUR SKIP STITCH PATTERN	26
WEAVING PATTERN	27
WEAVING MOTIF PATTERN	29
FAIR-ISLE PATTERN	31
DOUBLE LENGTH PATTERN	33
FAIR-ISLE MOTIF PATTERN	35
THREAD LACE PATTERN	39
THREAD LACE MOTIF PATTERN	40
PLATING YARN KNITTING	41
TUCK STITCH PLATING YARN KNITTING	42
6. REPLACING THE KNITTING MACHINE	43
MAKING GARMENTS	
(1) HOW TO USE THE TRANSFER TOOL	45
(2) HOW TO USE THE LATCH TOOL	45
(3) HOW TO INCREASE THE STITCHES	46
(4) HOW TO DECREASE THE STITCHES	48
(5) PARTIAL KNITTING	50
(6) CABLE STITCH PATTERN	53
(7) RIBBING STITCHES	53
(8) TUBE KNITTING	54
USEFUL HINTS	
IF THE CARRIAGE SHOULD JAM	55
REPLACING A NEEDLE	58
PICKING UP DROPPED STITCHES	60
IF THE GATE PEGS CATCH THE YARN	60
MAINTENANCE	62
KNITTING BY USING THE KNIT-LEADER	63

ORIGINAL PATTERNS

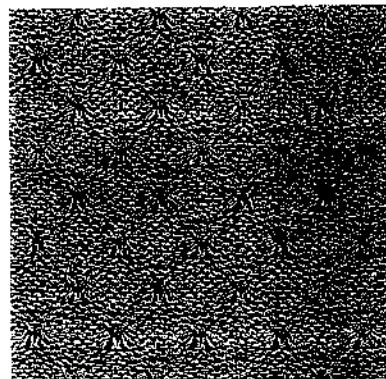
TUCK STITCH PATTERN (No. 1p, 2p, 3p, 4p, 5p, 7p, 8p)



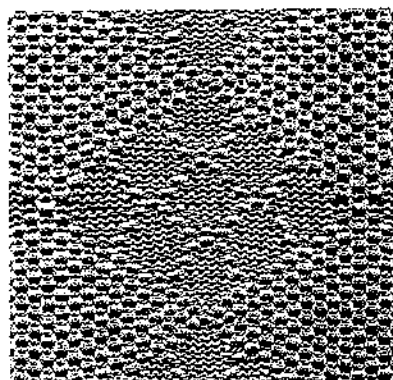
Card No. 2p



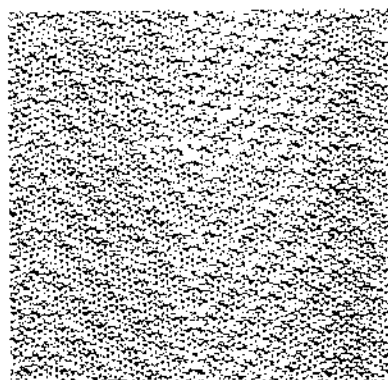
Card No. 3p



Card No. 4p

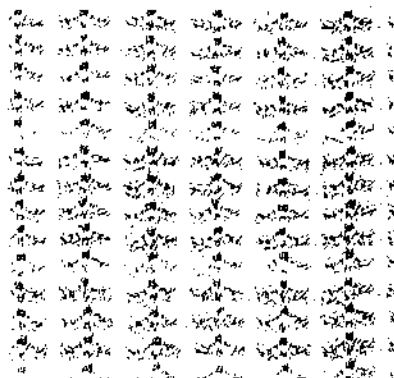


Card No. 5p

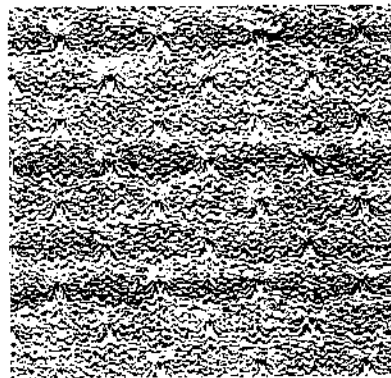


Card No. 8p

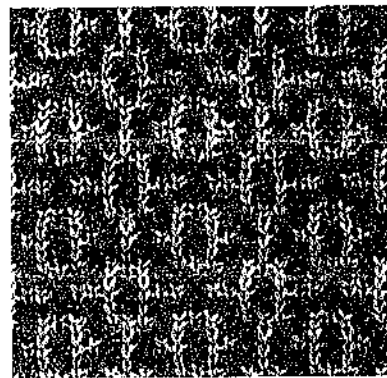
TWO COLOUR TUCK STITCH PATTERN (No. 1p, 2p, 3p, 4p, 5p, 7p, 8p)



Card No. 2p

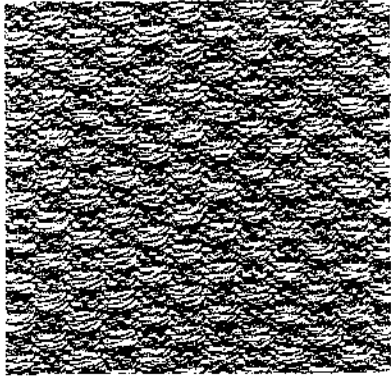


Card No. 4p

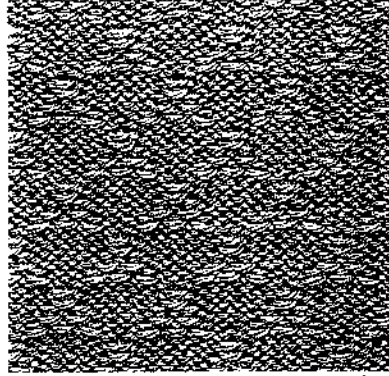


Card No. 7p

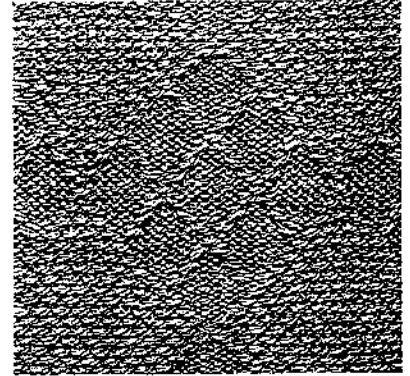
SKIP STITCH PATTERN (No. 1p, 2p, 3p, 4p, 5p, 6p, 7p, 8p)



Card No. 2p



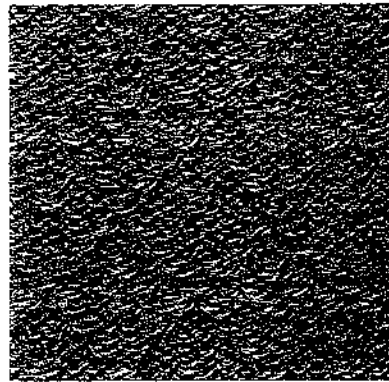
Card No. 3p



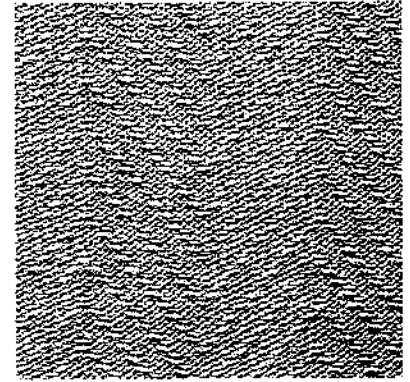
Card No. 5p



Card No. 6p

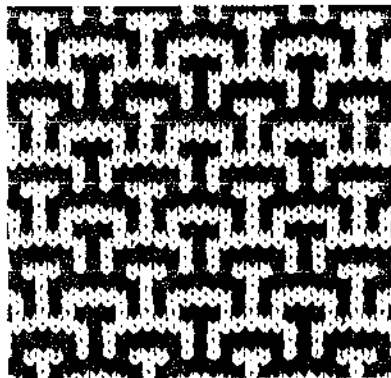


Card No. 7p

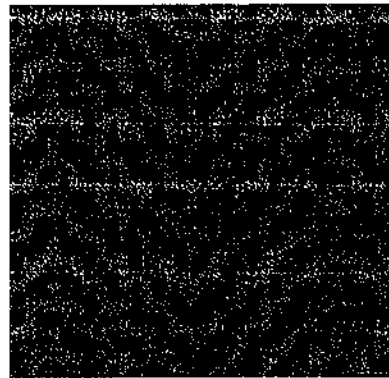


Card No. 8p

TWO COLOUR SKIP STITCH PATTERN (No. 1p, 2p, 3p, 4p, 5p, 6p, 7p, 8p)

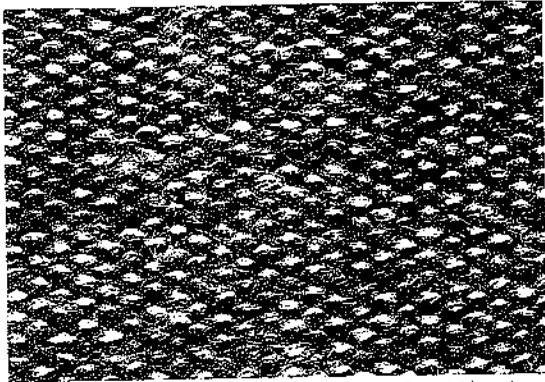


Card No. 3p

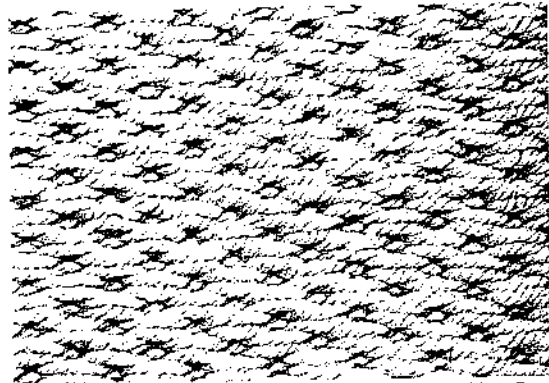


Card No. 8p

WEAVING PATTERN (Card No. 1p, 2p)

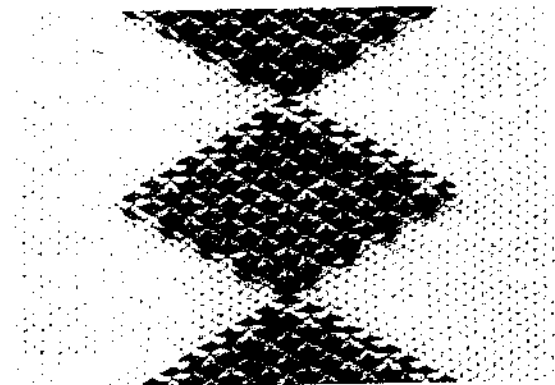


Card No. 1p



Card No. 2p

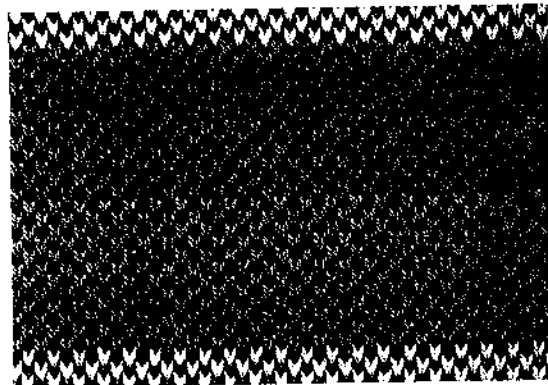
WEAVING MOTIF PATTERN



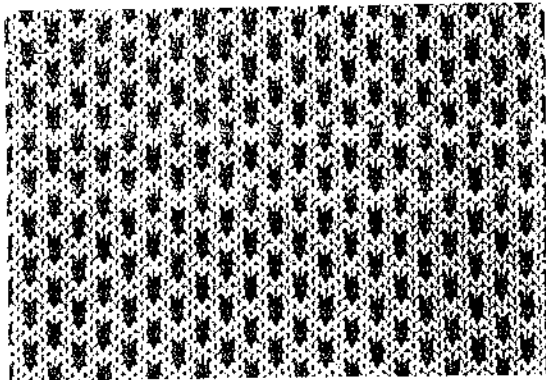
Card No. 1p

FAIR-ISLE PATTERN

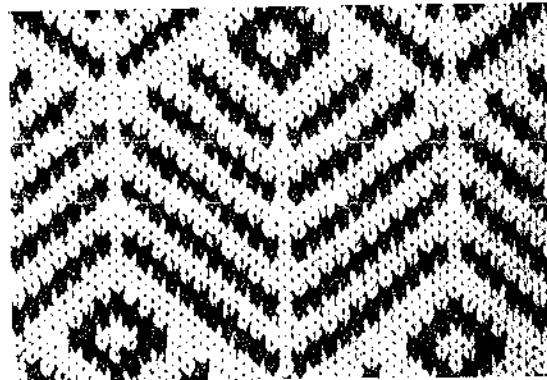
(Card No. 1p, 2p, 6p, 7p, 8p, 9p, 10p, 11p, 12p, 15p)



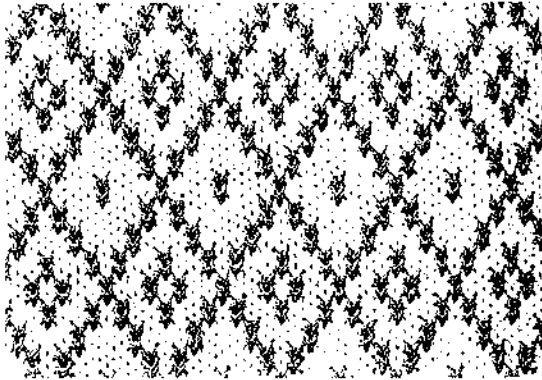
Card No. 1p



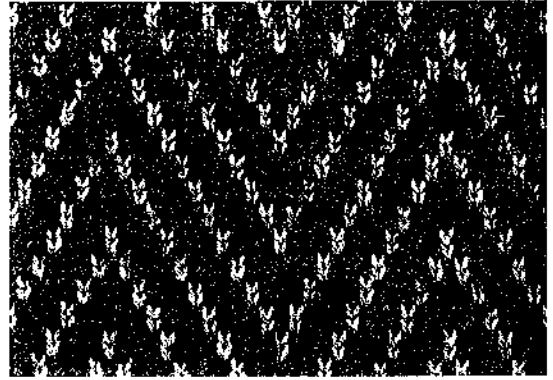
Card No. 2p



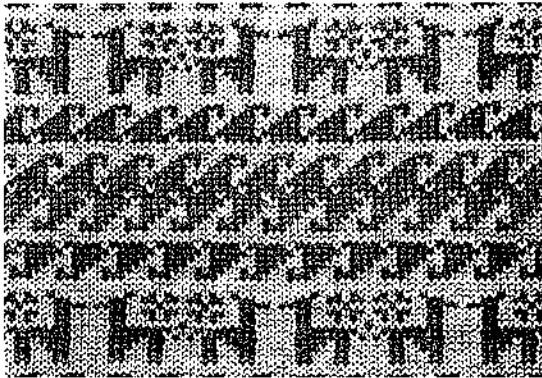
Card No. 6p



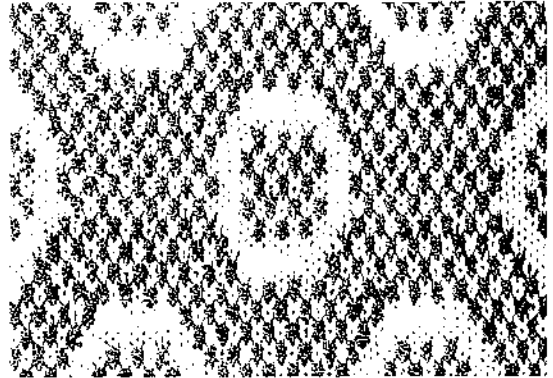
Card No. 7p



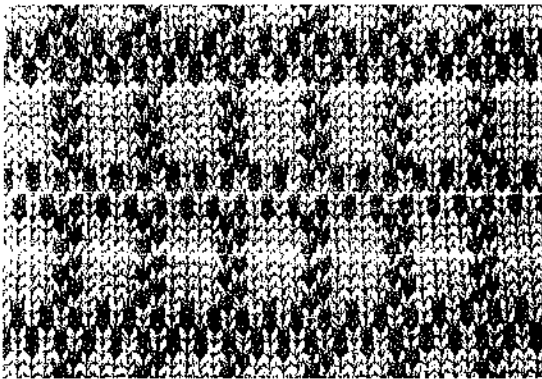
Card No. 8p



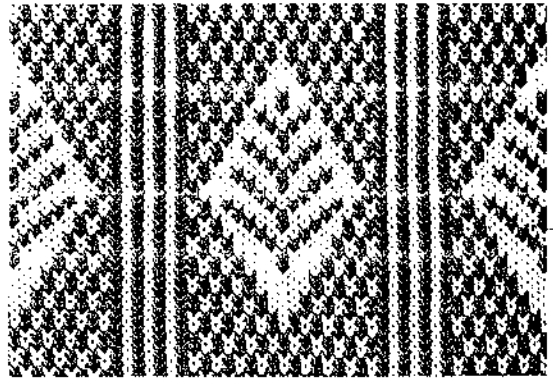
Card No. 9p



Card No. 11p

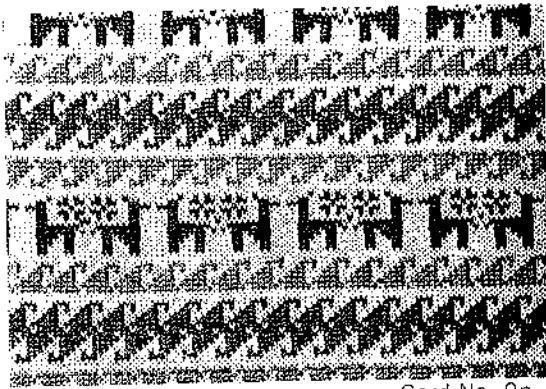


Card No. 12p



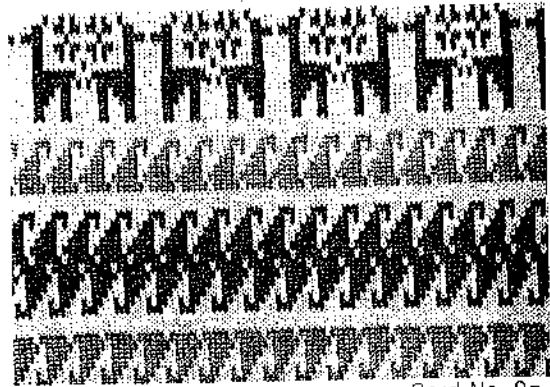
Card No. 15p

DOUBLE LENGTH PATTERN



Card No. 9p

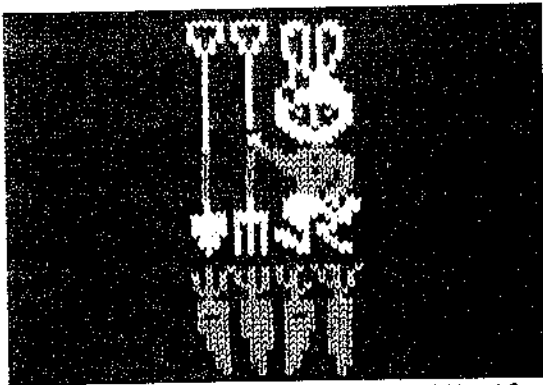
Normal



Card No. 9p

→ Double Length

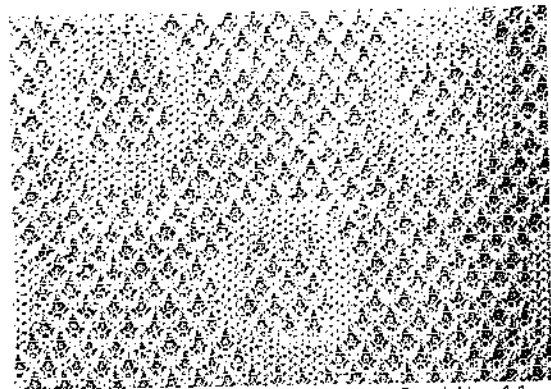
FAIR-ISLE MOTIF PATTERN



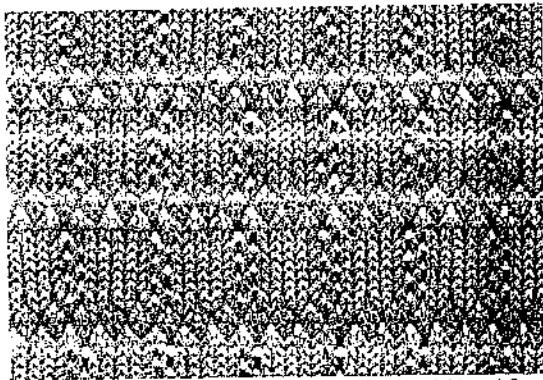
Card No. 10p

THREAD LACE PATTERN

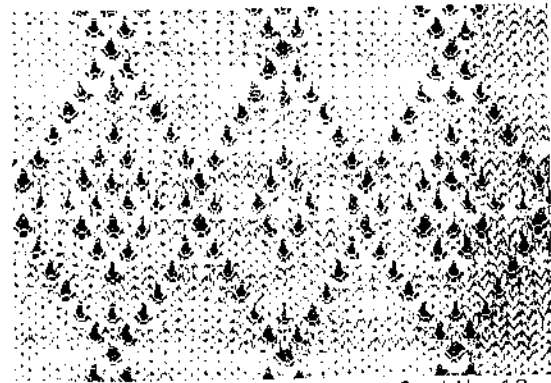
(Card No. 1p, 11p, 12p, 13p, 14p, 15p)



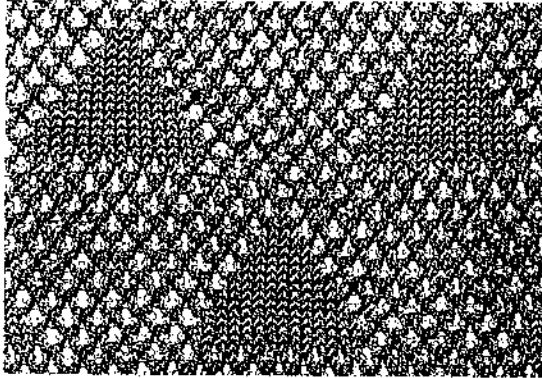
Card No. 11p



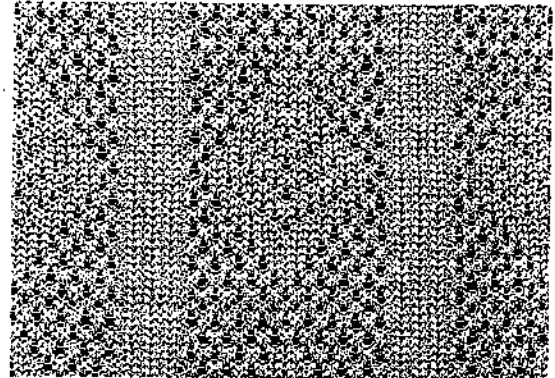
Card No. 12p



Card No. 13p

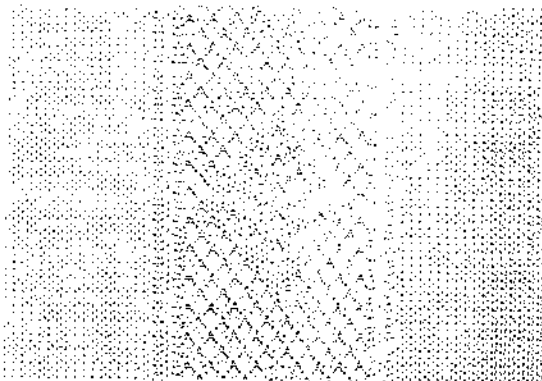


Card No. 14p



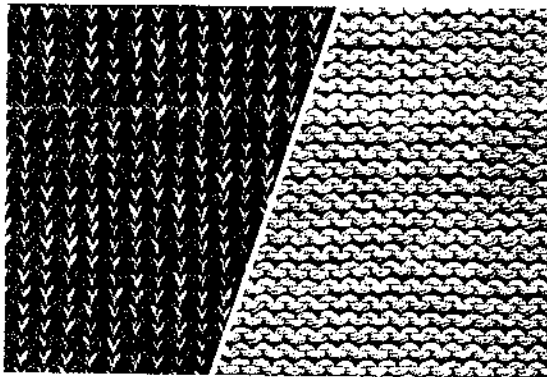
Card No. 15p

THREAD LACE MOTIF PATTERN



Card No. 15p

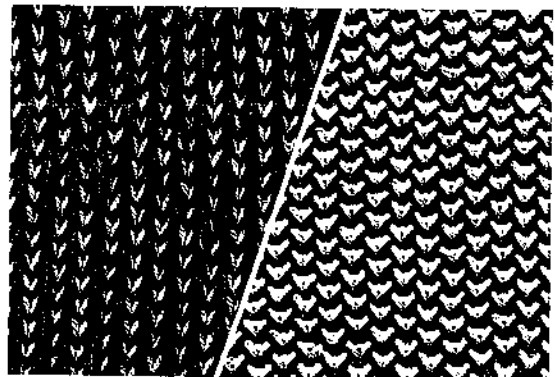
PLATING YARN KNITTING



FRONT

BACK

TUCK STITCH PLATING YARN KNITTING



FRONT

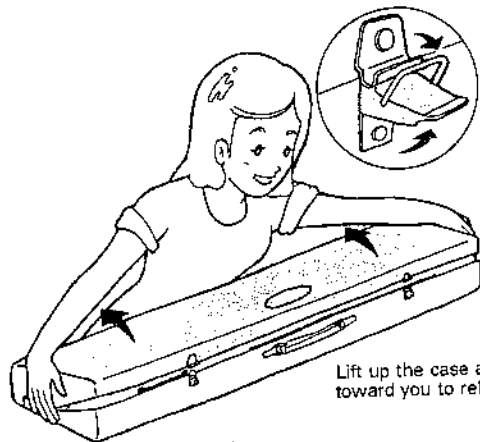
BACK

Card No. 1p

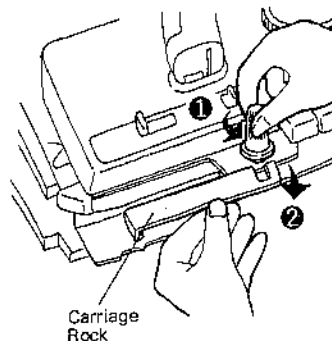
HOW TO USE THE KNITTING MACHINE

1. SETTING-UP THE KNITTING MACHINE

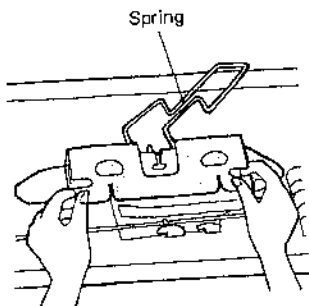
1) Place the machine on a firm table, with the Carrying Case Handle away from you and unlock the catches.



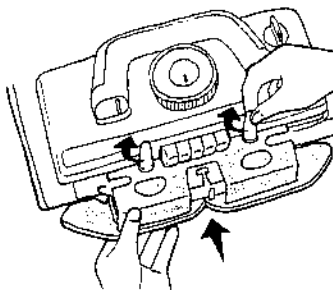
2) Loosen the Knob and remove the Carriage Rock.



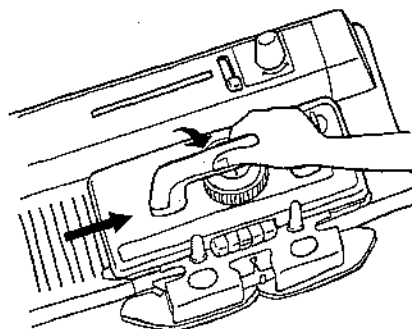
3) Take out the Sinker Plate Assembly from the Carrying Case.



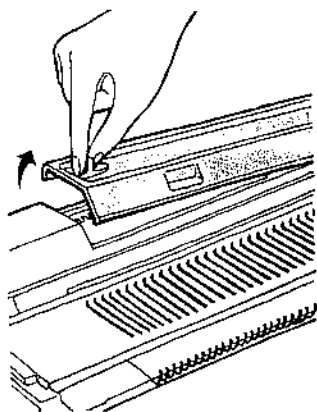
4) Screw the Sinker Plate Assembly on the K-Carriage.



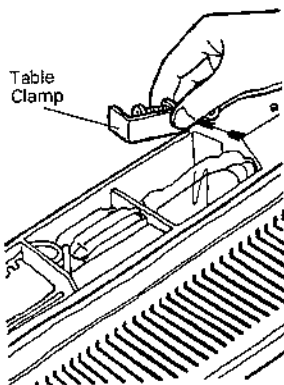
5) Pull the Carriage Handle up towards you and move the carriage to the right.



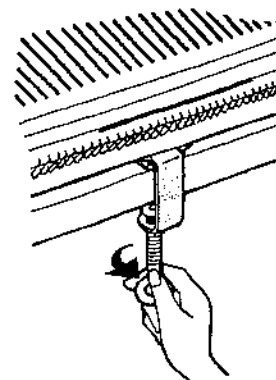
6) Open the Accessory box.



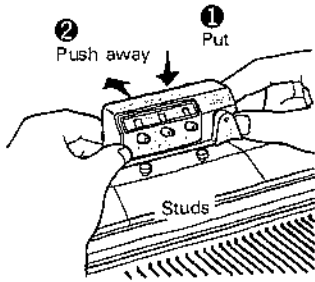
7) Take two Table Clamps out of the box.



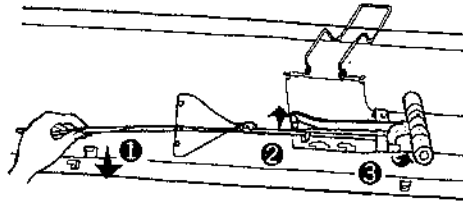
8) Fasten the machine to the table by the Table clamps.



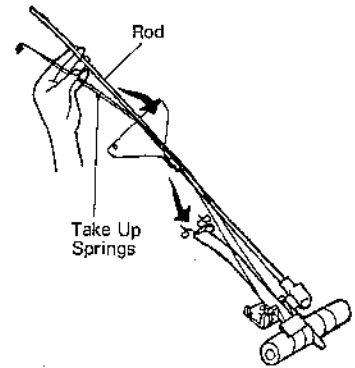
9) Set the Row Counter onto the two studs on the machine.



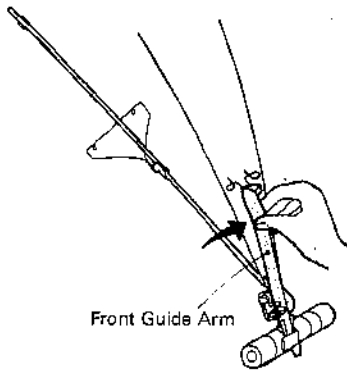
10) Take out the Yarn Tension Unit.



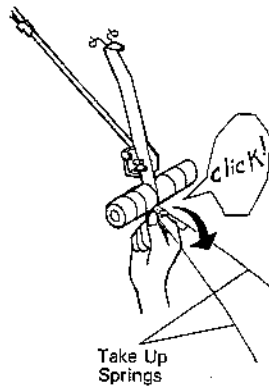
11) Release the Take Up Springs.



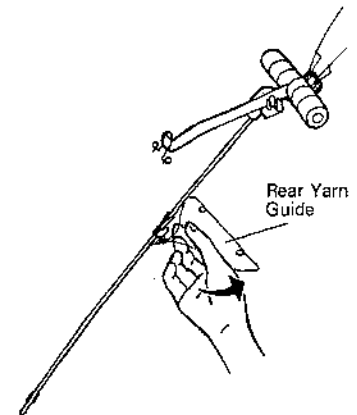
12) Pull up the Front Guide Arm as far as it goes.



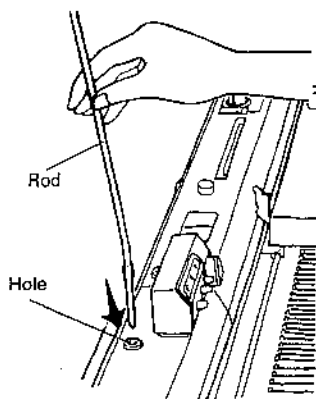
13) Then pull up the Take Up Springs until you hear "click".



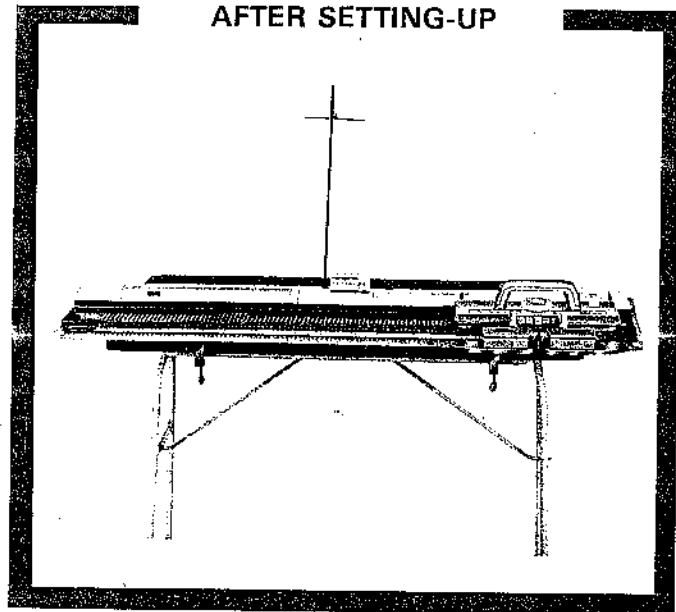
14) Lift up the Rear Yarn Guide.



15) Insert the end of the Rod into the hole of the machine.

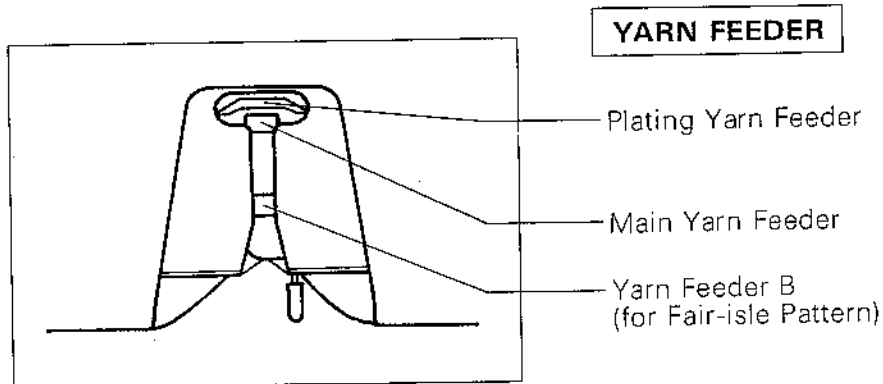
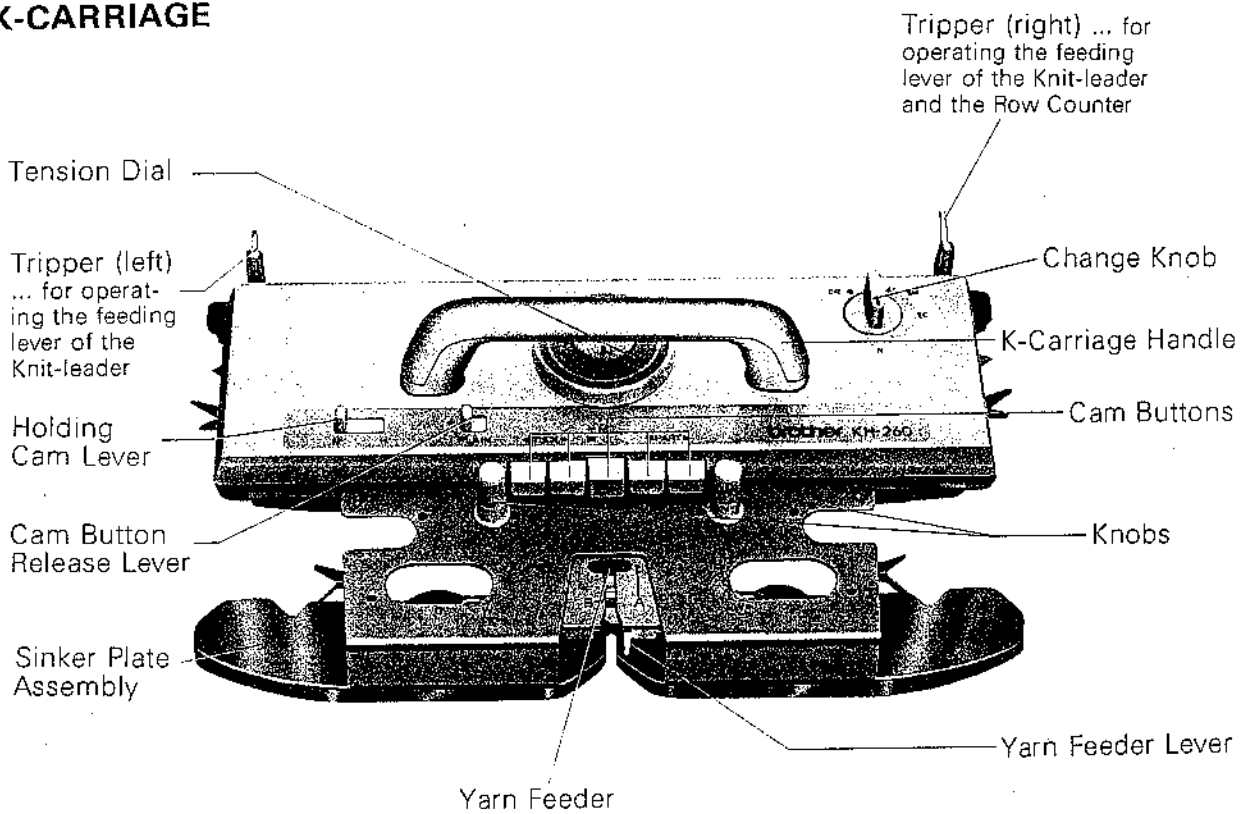


AFTER SETTING-UP



2. PARTS NAME

K-CARRIAGE

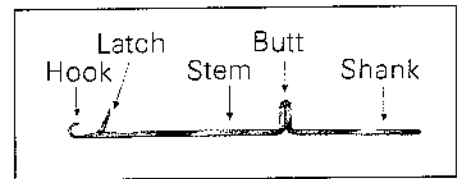
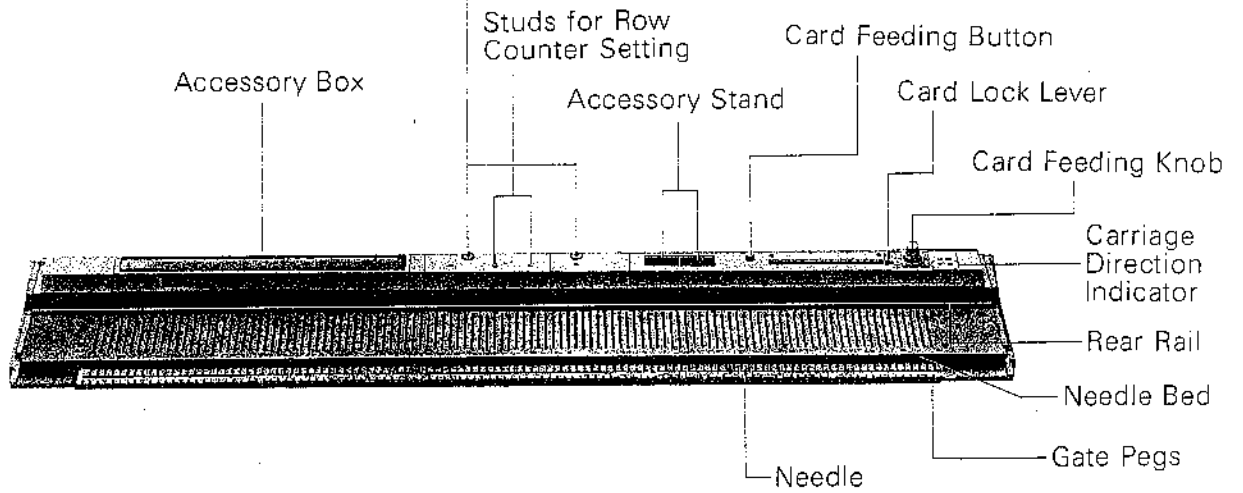


MACHINE BODY

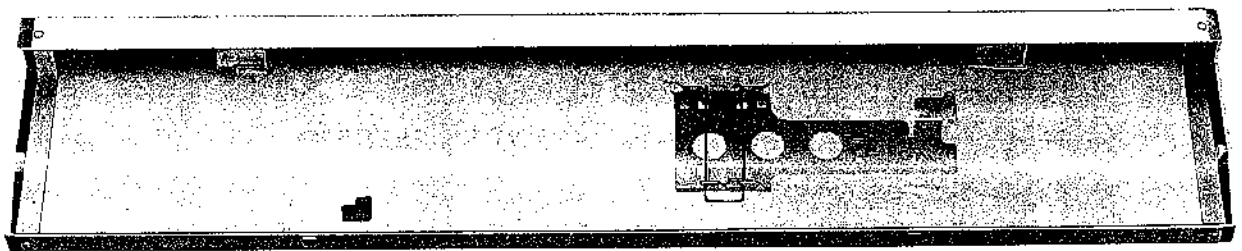
Yarn Tension Unit Hole

Usually use the left hole.

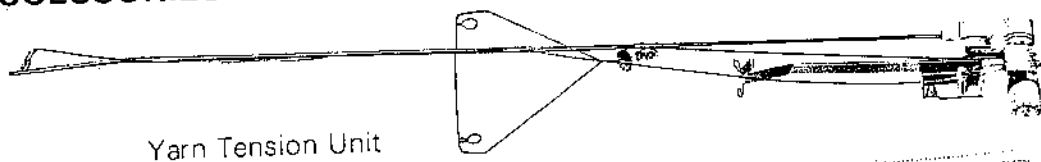
Use the right one when knitting Motif Pattern at the right side of the machine.



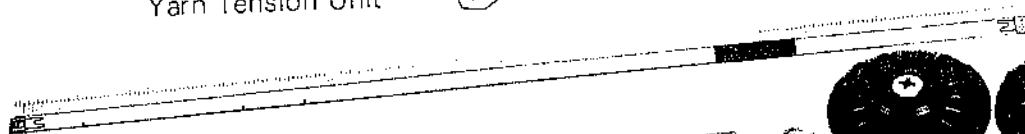
CASE



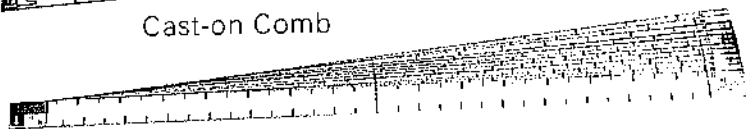
ACCESSORIES



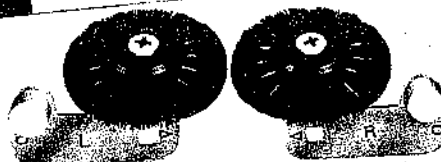
Yarn Tension Unit



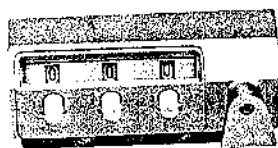
Cast-on Comb



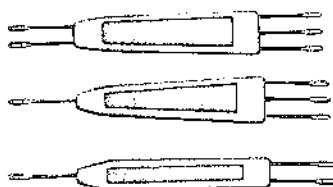
Stitch Measure Scales



Wheel Brushes (L) (R)



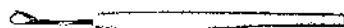
Row Counter



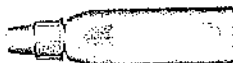
Transfer Tools



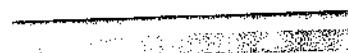
Claw Weights (6)



Latch Tool



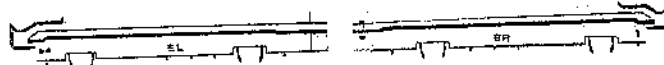
Special Knitting Oil



Needle Pusher



Spare Needles (2)



Motif Knitting Cams (L) (R)



Crochet Needle



Punch Card Holder Pin



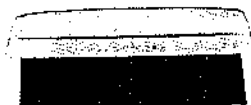
Tapestry Needle



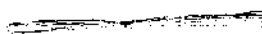
Table Clamps



Yarn Wax



Hand Brush



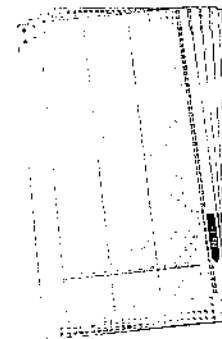
Cast-on Thread



Carriage Lock



Snaps (4)



Punch Cards (15 pcs.)

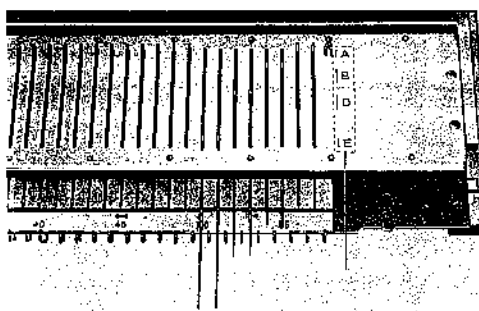
3. BEFORE STARTING TO KNIT

(1) NEEDLE POSITION

On either side of the needle bed there appears the marks A, B, D and E.

- A ... Non-working position.
- B ... Working position (Used for general work).
- D ... Pattern knitting position (Selected Needles are brought to this position by the K-Carriage).
- E ... Holding position (The stitch will 'Hold' on the needle until released. Used for shaping e.g. socks, necklines, darts.)

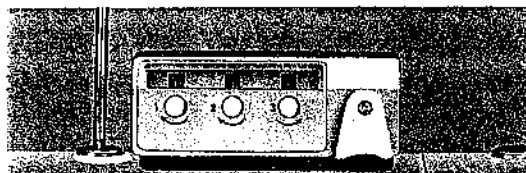
When you fold up the machine, return the needles to position A.



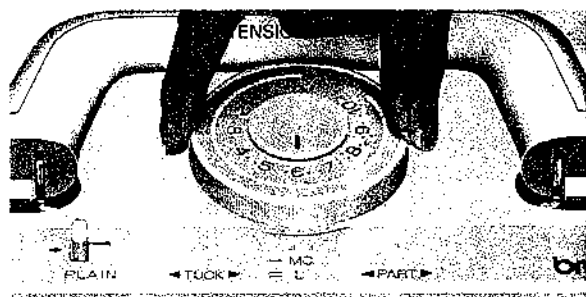
(2) ROW COUNTER

Row Counter shows the number you have knitted with the K-Carriage.

When you want to set the number "0" again, turn the knob to the arrow direction.



(3) TENSION DIAL



This dial is graduated from 0 to 10, each space being subdivided into three parts.

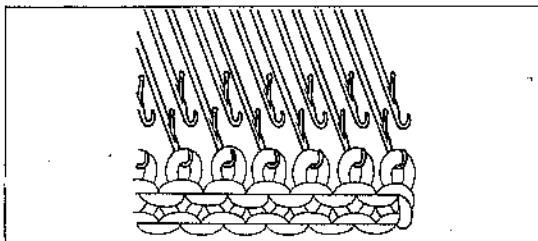
The size of stitch is adjusted by the tension setting on the Carriage Tension Dial. 0 denotes the tightest tension (i.e. the smallest stitch) and 10 is the loosest tension (i.e. the largest stitch).

Adjust the dial according to the thickness of the yarn.

	YARN TYPE	DIAL
THICK	100 ~ 120m/50g	0 ~ 4
DOUBLE KNIT (THICK)	70 ~ 100m/50g	4 ~ 8
ULTRA THICK	50 ~ 70m/50g	8 ~ 10
ULTRA THICK	every other needle	4 ~ 7

It might be difficult to operate K-Carriage in using Ultra thick yarn so use every other needle. (open stitch).

OPEN STITCH

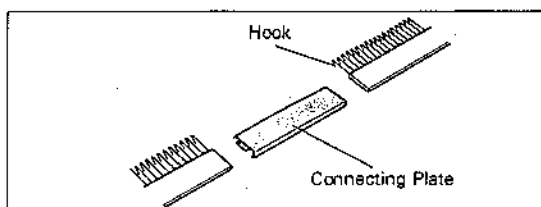


(4) CAST-ON COMB

You can choose the proper length according to the number of the needles.

114 Stitches

84 Stitches + 30 Stitches

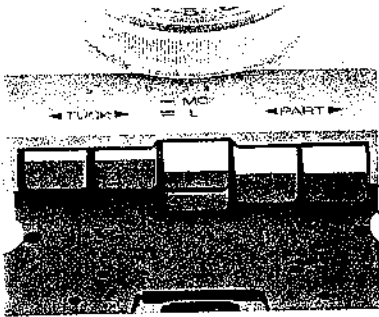


(5) CAM BUTTON AND CAM BUTTON RELEASE LEVER

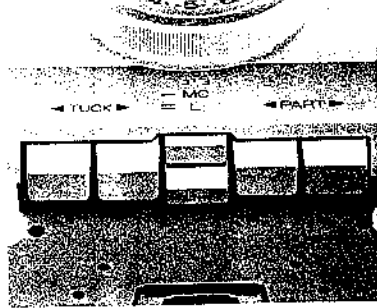
Use the Cam Buttons according to the pattern you want and release them by sliding the Cam Button Release Lever to right.

CAM BUTTONS

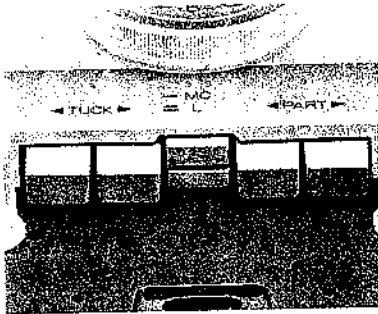
TUCK STITCH PATTERN



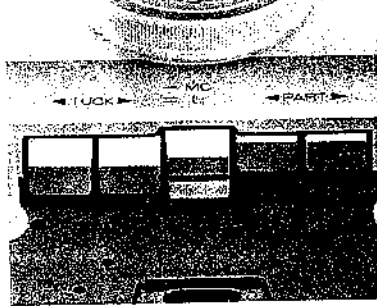
FAIR-ISLE PATTERN



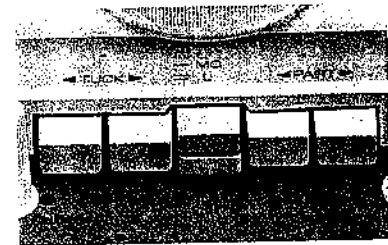
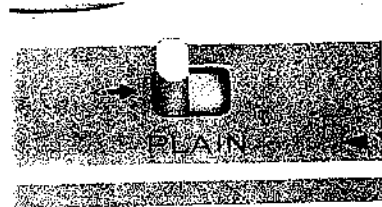
THREAD LACE PATTERN



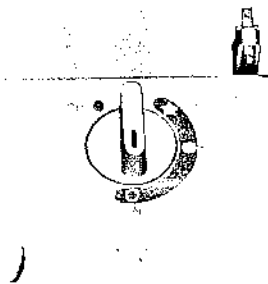
SKIP STITCH PATTERN



CAM BUTTON RELEASE LEVER



(6) CHANGE KNOB



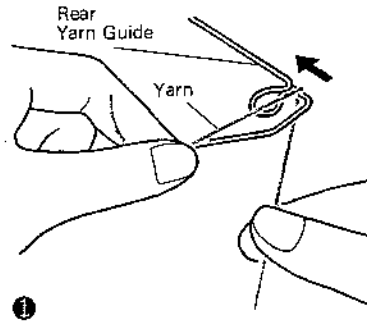
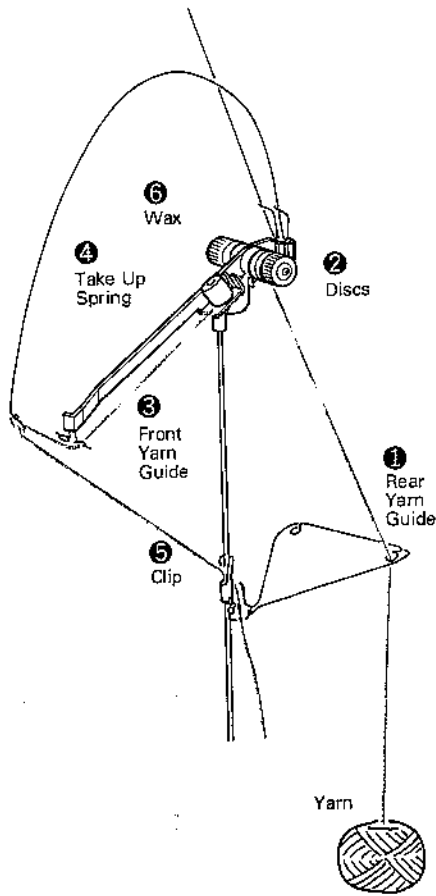
CR SM KC NL

- NL ... For the Plain and the Lace pattern
- KC ... For knitting various patterns
- SM ... For using One-Point Cams
- CR ... For taking off the Carriage

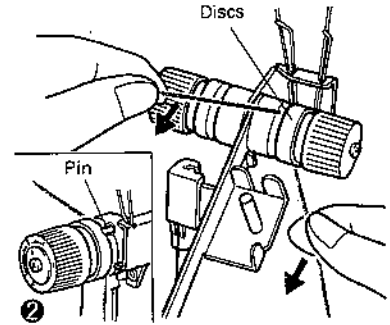
4. BASIC OPERATION

(1) THREADING THE YARN

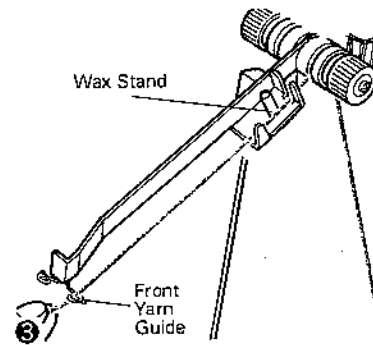
Thread the Yarn Tension Unit in order as shown in the figure.



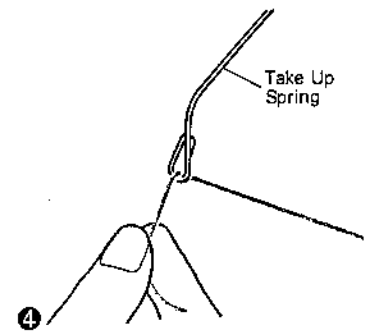
1 Pass the yarn from the ball through the Rear Yarn Guide sliding the yarn through the eyelet.



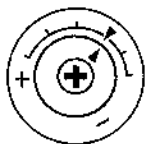
2 Pass the yarn under the Pin and between the two Discs from behind.
(Hold the yarn as shown above and pull it towards you so that the yarn gets in under the Pin.)



3 Thread the Front Yarn Guide.



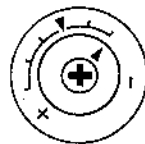
4 Thread the yarn into the Eyelet of the Take Up Spring.



▶▶ For Double Knit Yarn

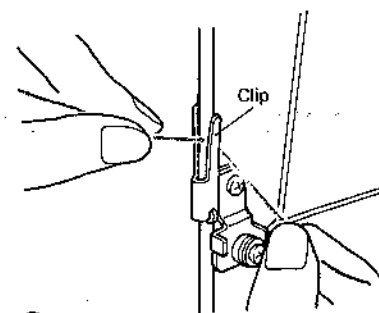
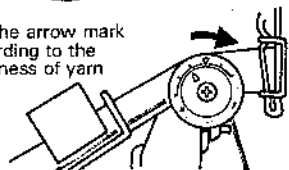


▶+ For Thick Yarn

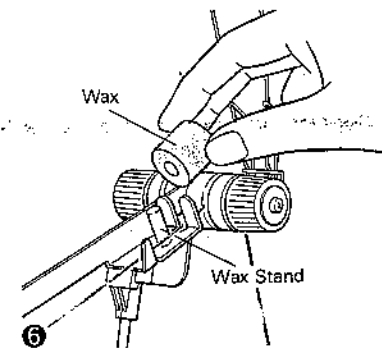


▶- For Ultra Thick Yarn

Set the arrow mark according to the thickness of yarn



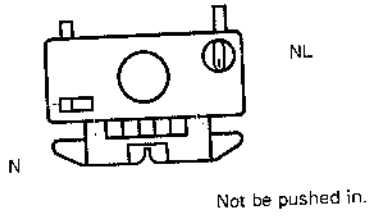
5 Clip the yarn under the Yarn Clip.



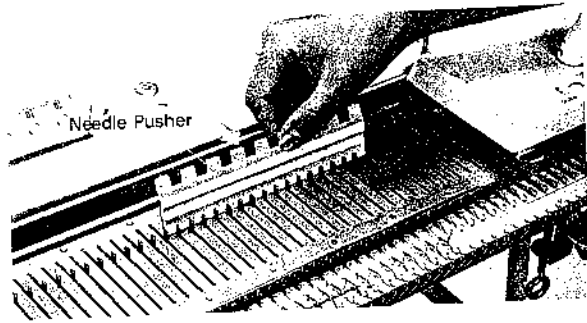
6 When you start knitting, set the Wax from the accessory box on the special stand.
The Wax will help the yarn to slide more smoothly.

(2) PLAIN KNITTING

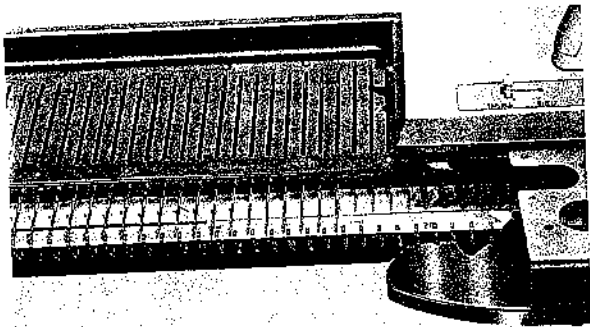
1) Set the K-Carriage as shown in the diagram.



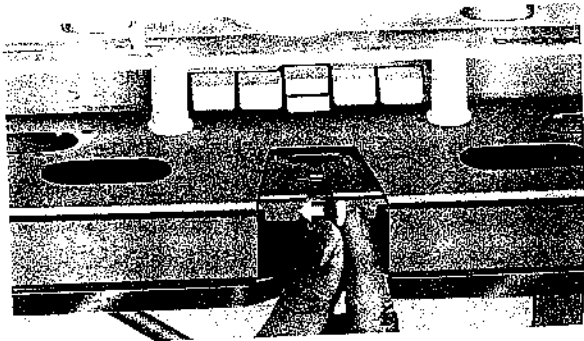
2) Bring forward 40 needles to position B by using 1/1 needle pusher. (20 needles on either side of the center mark "0".)



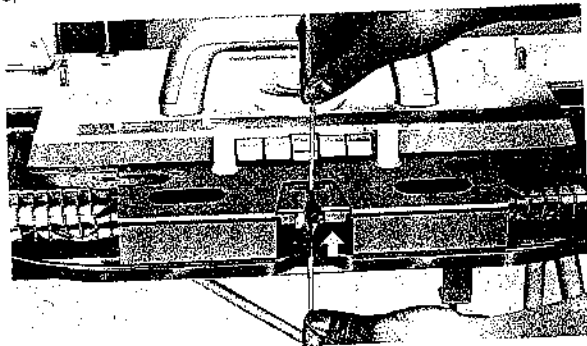
3) Move the carriage a few times to align the needles and place it on the right side of the needle bed.



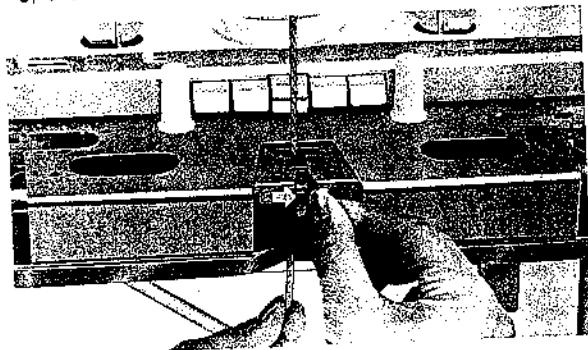
4) Turn the Yarn Feeder Lever to left.



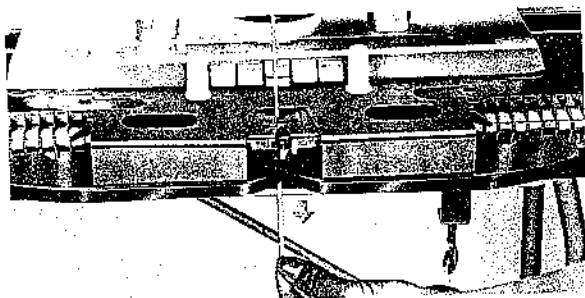
5) Thread the yarn into the Yarn Feeder.



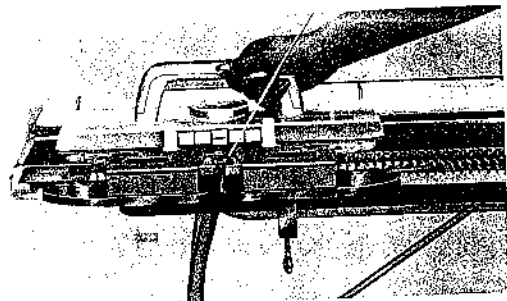
6) Close the Yarn Feeder Lever.



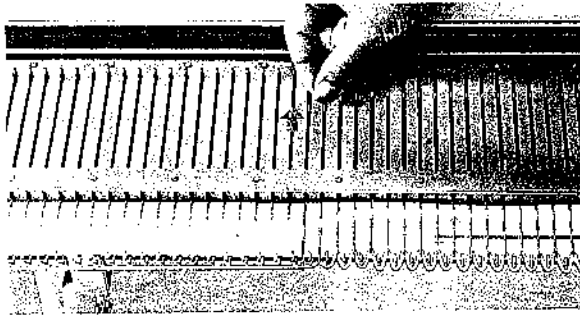
7) Hold the yarn end rightly.



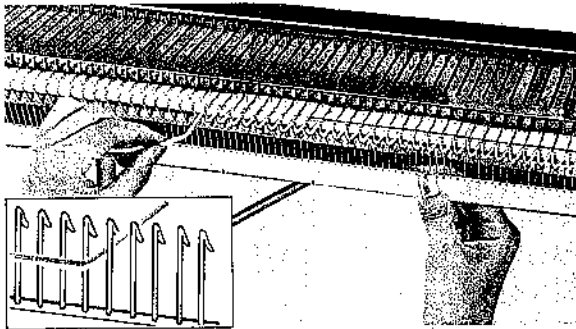
8) Move K-Carriage from right slowly. Once the needles catch the yarn you can take the hand off the yard end.



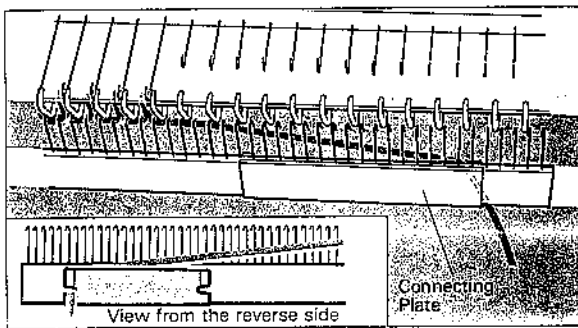
9) Adjust the end needle to position B.



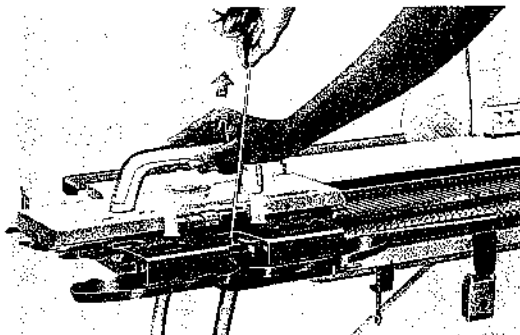
11) Hang the Cast-on Comb as the edges of the hooks face the machine. Pull the yarn through the hook toward you.



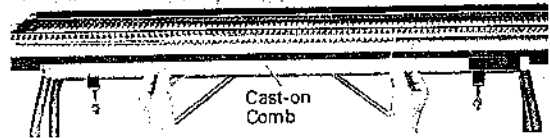
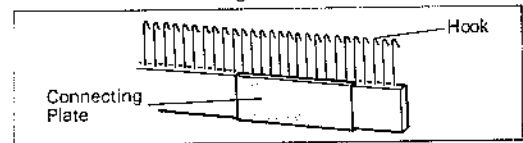
13) Hook the yarn end in the Connecting Plate from the back.



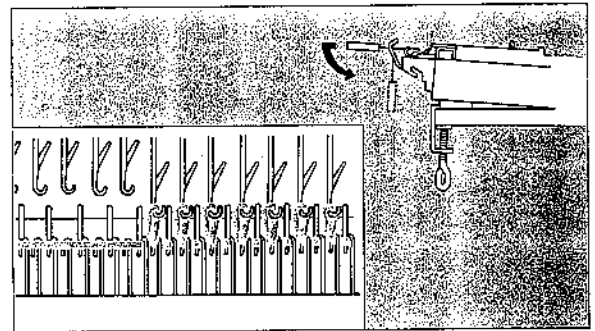
15) Move the carriage to the right with pulling the yarn rightly not to make any slack.



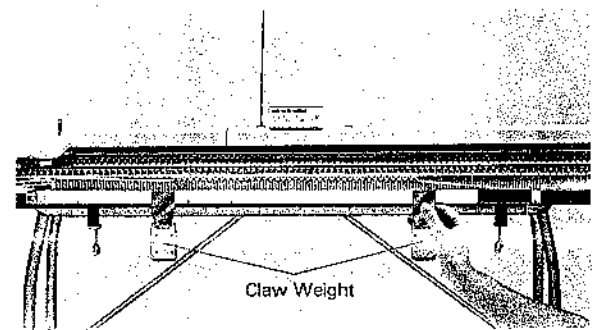
10) Take the Cast-on Comb out of the case and shorten it to 84 needles. Put the Connecting Plate inside.



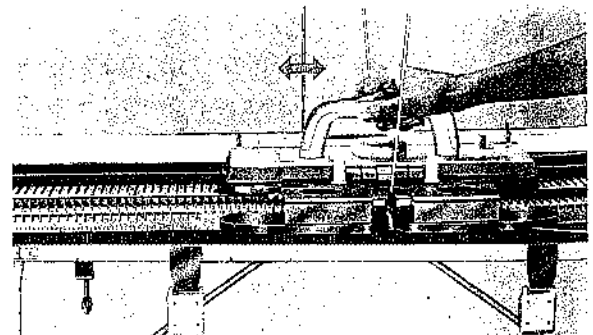
12) After hooking pull the Cast-on Comb down.



14) Hang the Claw Weight with keeping the comb horizontally according to the following chart. (next page.)

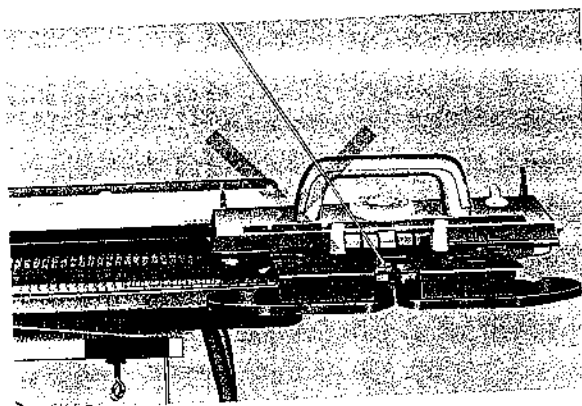
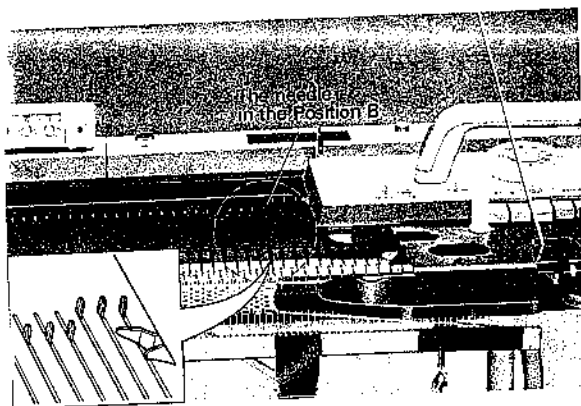


16) Continue to operate the K-Carriage. This is called Plain Knitting.



NOTE:

- 1) Be careful in turning the Carriage.
Do not turn it at too close or too far from the knitting.

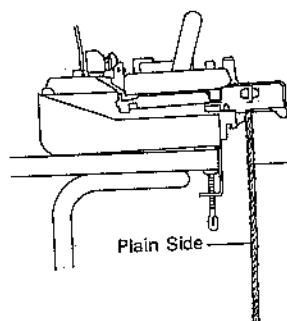


- 2) When you knit with cotton and synthetic yarn, set the Rubber Wheel to the working position. (Refer to page .)

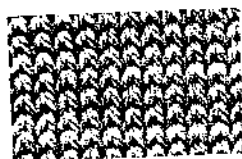
Standard Chart for Claw Weights

Type of the yarn	Width of the Knitting	1 ~ 30 ST.	31 ~ 84 ST.	85 ~ 114 ST.
Thick Yarn		2	2	3
Double Knit		2	3	4
Ultra Thick		3	4	4

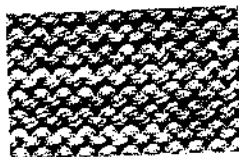
The Plain and Purl Side of the Knitting.



*You can use the either side which you prefer.



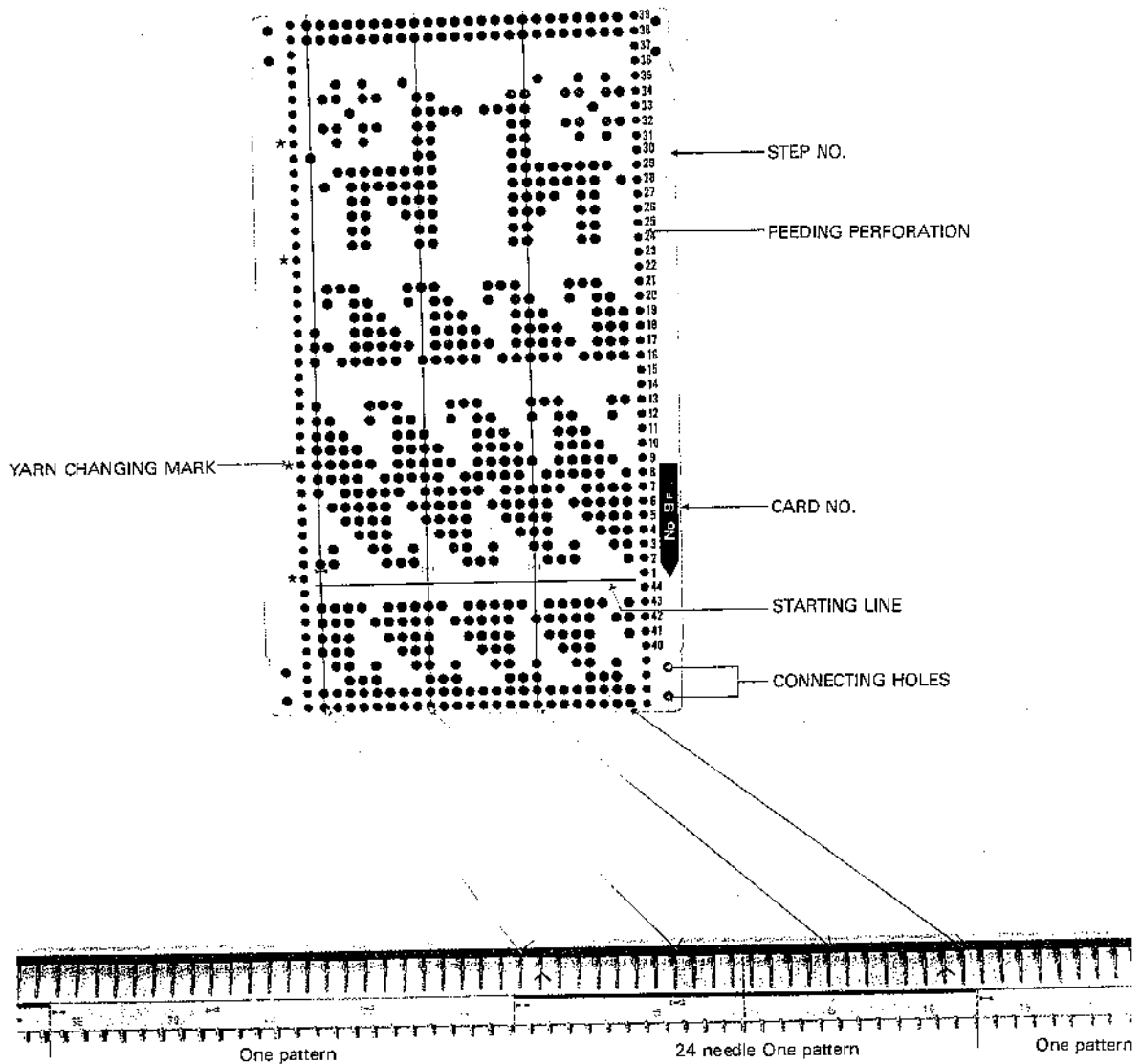
Plain Side



Purl Side

5. PATTERN KNITTING

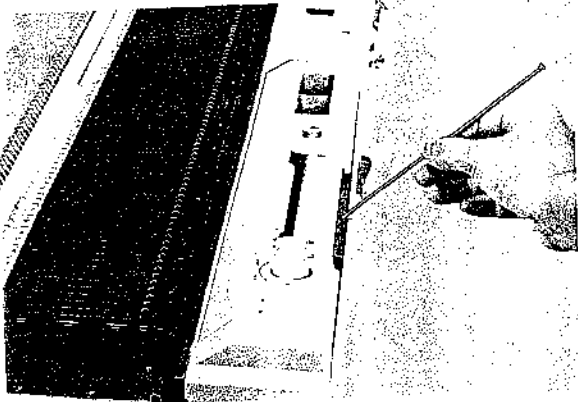
- * You can enjoy various patterns with the Punch Card.
- It is possible to knit a pattern repeatedly.
- * The needles that correspond to the perforations shall be selected to position D.
- * Do not fold up the Punch Card.



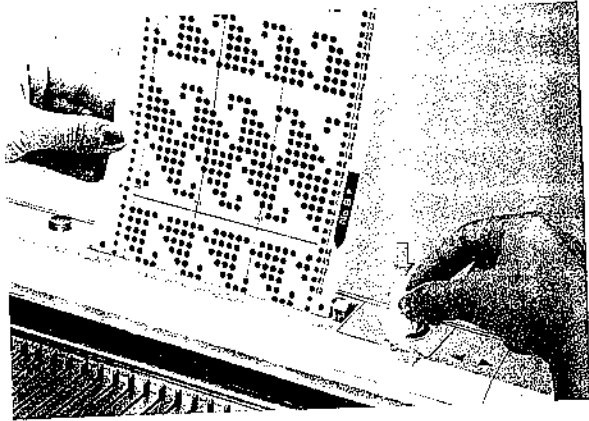
Each perforated line of the punch card controls one needle group, namely 24 needle.
 (12 needles on either side of the center mark "O" make one pattern.)
 Each needle group (24 needles) marked with Red lines on the NEEDLE POSITION INDICATOR makes one pattern.

HOW TO SET THE PUNCH CARD

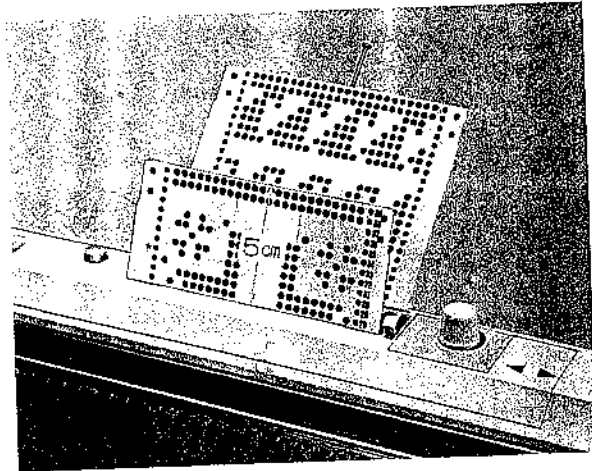
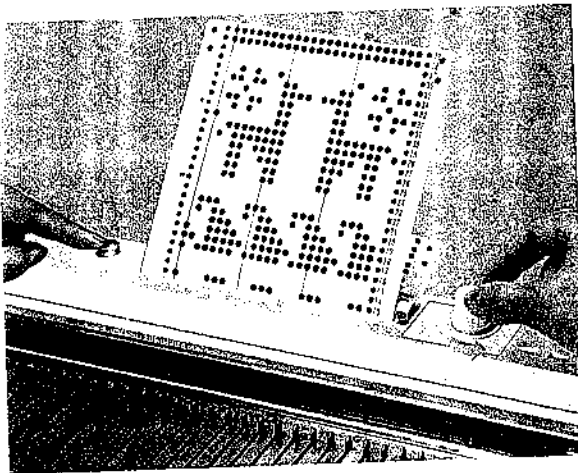
1) Insert the Punch Card Holder Pin in the hole behind the slit



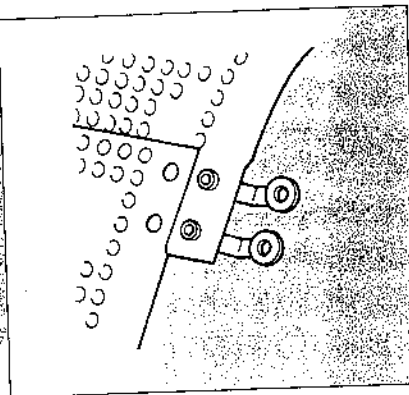
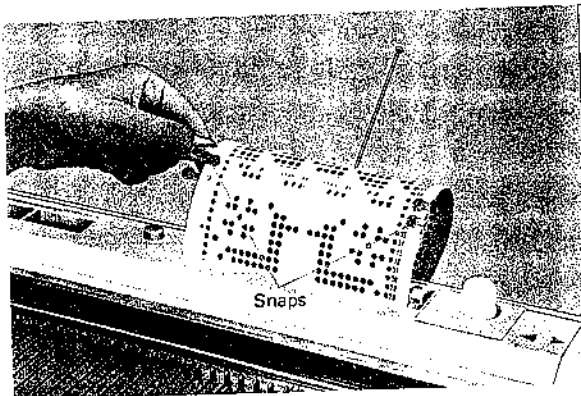
2) Insert the Punch Card straight into the slit with the number facing you. Make sure that the line is parallel to the panel by feeding it in several rows.



3) Turn the feeding knob with pressing down the push button to feed the card.



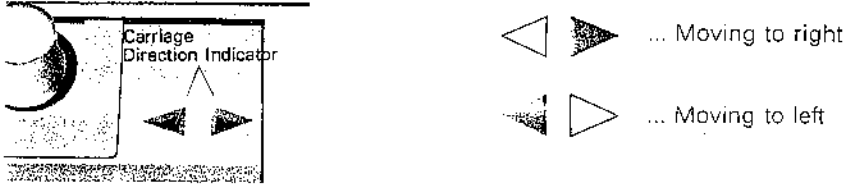
4) Join the both ends of the card by the plastic snaps to knit the pattern repeatedly.



BASIC STEPS OF THE PATTERN KNITTING

In the Pattern Knitting, followings are Basic Steps (No.1 ~ No.4).
As for the details, refer to the each explanation of the pattern.

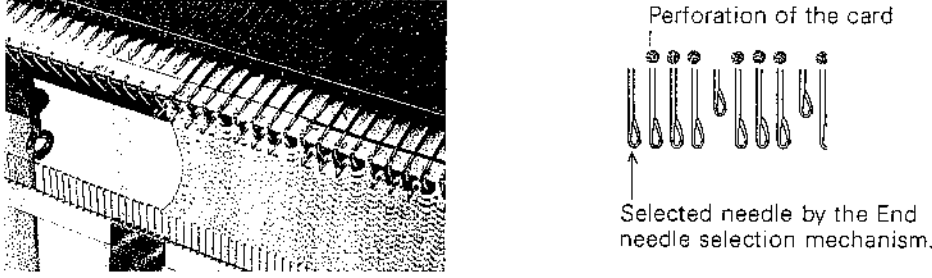
* CARRIAGE DIRECTION INDICATOR
It shows the moving direction of the carriage.



... Moving to right

... Moving to left

* END NEEDLE SELECTION MECHANISM
When the Change Knob is set at position KC on the K-Carriage, both end needles in position B are selected to position D per each row regardless of the Punch Card. This is called the END NEEDLE SELECTION MECHANISM and works to avoid the stitch dropping. As for to cancel this mechanism, refer to page 42.

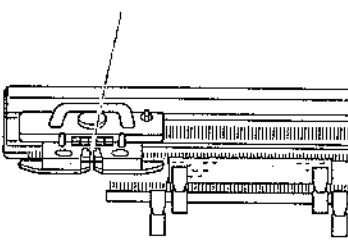


Perforation of the card

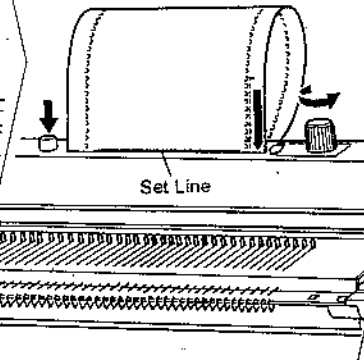
Selected needle by the End needle selection mechanism.

STEP 1

1) Knit Plain Knitting several rows and place K-Carriage at left.
(except Double Length Pattern)

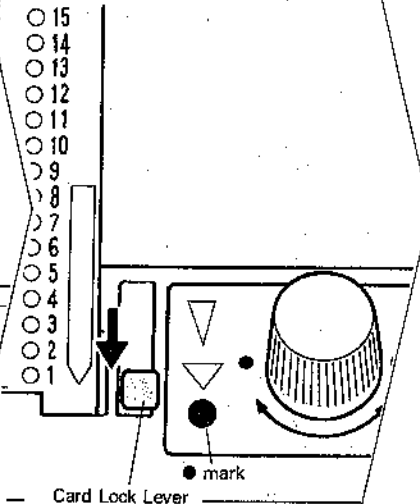


2) Set the Punch Card at the Set Line.



Set Line

3) Set the Card Lock Lever to the "●" mark.

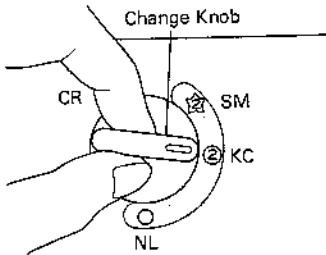


● mark

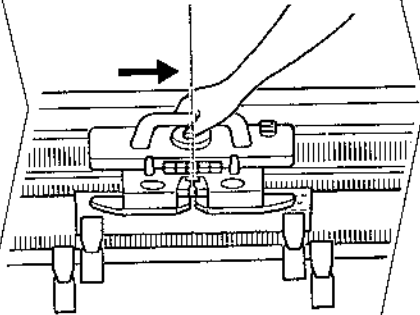
Card Lock Lever

STEP 2

1) Set the Change Knob to "KC" (or SM) position.

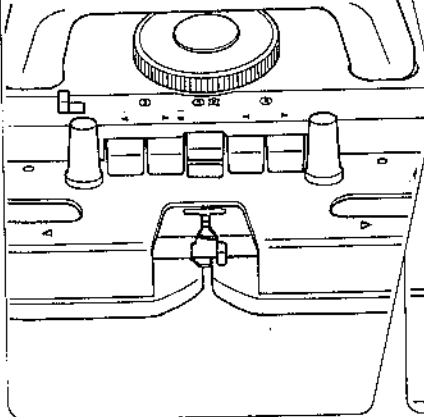


2) Move the K-Carriage slowly to the right (to the left in Double Length Pattern) and needles shall be selected to position D.



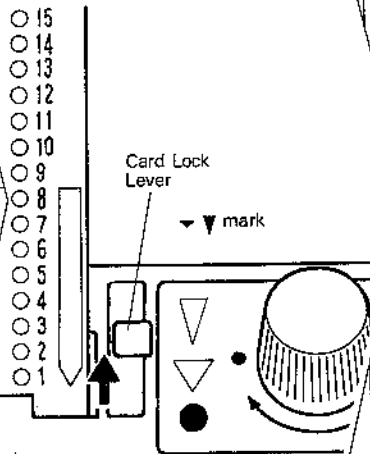
STEP 3

1) Push the proper Cam Buttons or set the Wheel Brushes according to your pattern.

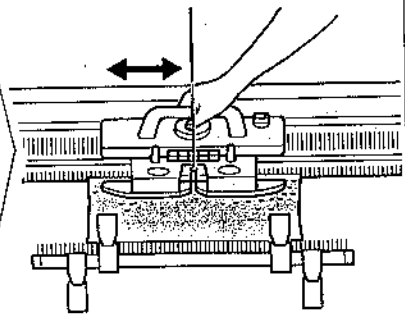


STEP 4

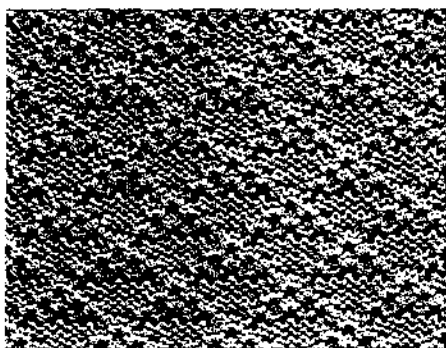
1) Set the Card Lock Lever to the "▼" or "▼" mark.



2) Then start knitting.

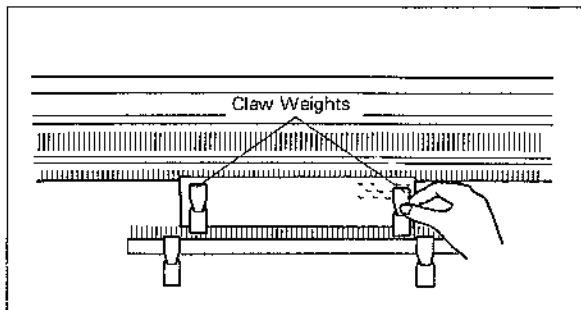


TUCK STITCH PATTERN (You can use the Card No. 1p, 2p, 3p, 4p, 5p, 7p, 8p)

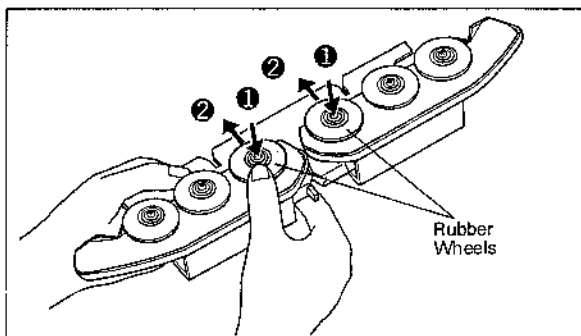


Card No. 3p

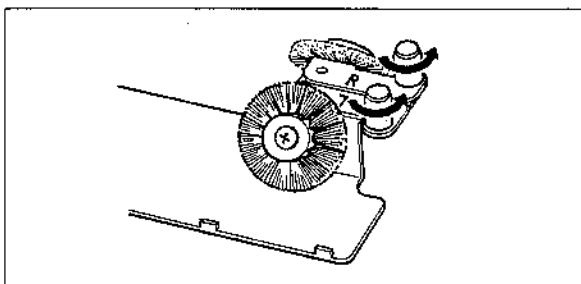
2) Hang the Claw Weights on both edges of the knitting.



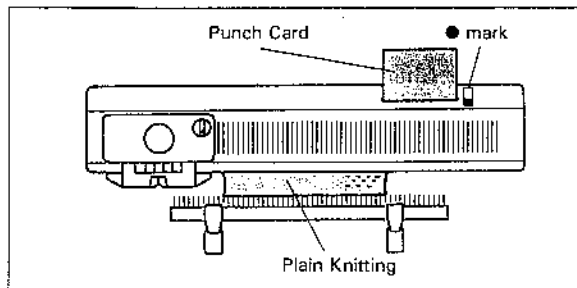
4) Remove the Sinker Plate Assembly from the K-Carriage and push and slide both Rubber Wheels and place them to the working position.



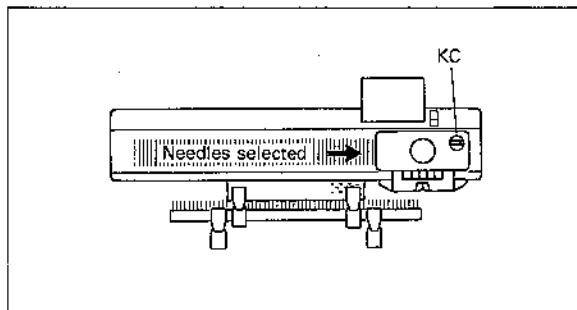
6) Set the Wheel Brushes.
1. Remove the Wheel Brushes from the case.



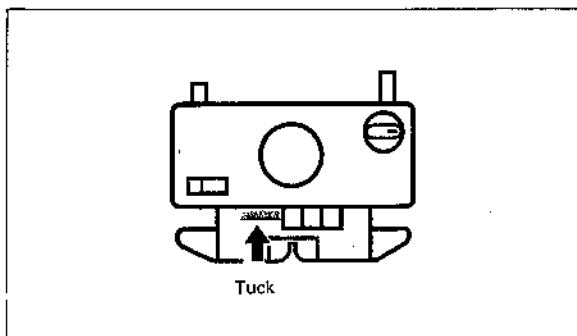
1) **STEP 1** After knitting several rows of Plain Knitting, place the carriage at the left. Set the Card and Card Lock Lever at ● mark.



3) **STEP 2** Set the Change Knob to the KC position and move the K-Carriage from left to right. The needles shall be selected.

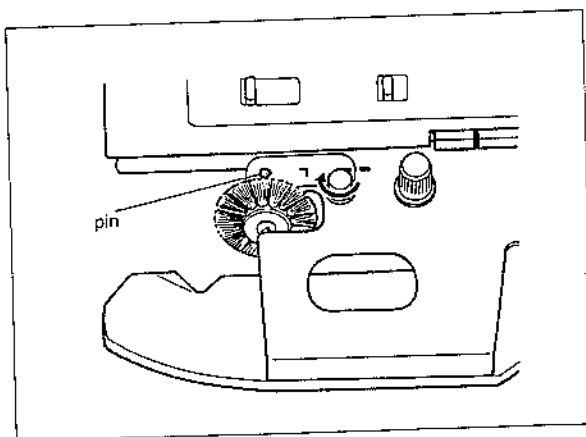
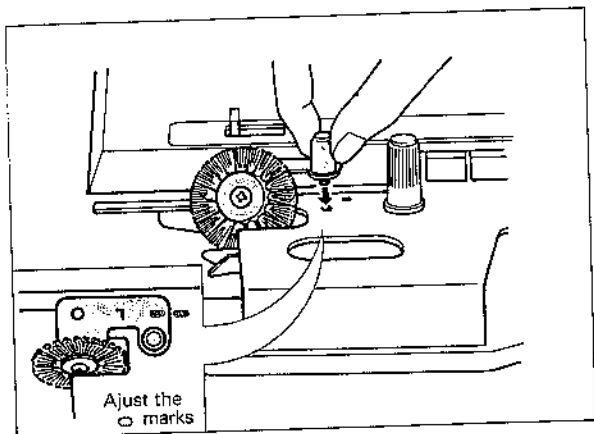


5) **STEP 3** Push both tuck buttons at the same time.



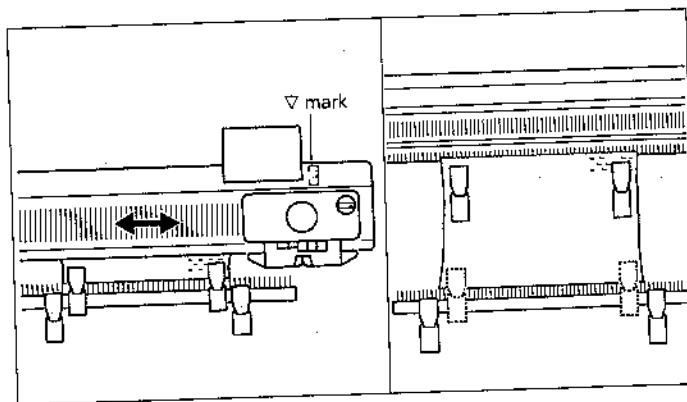
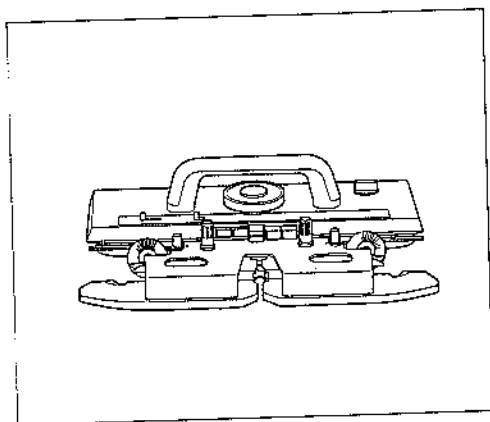
2. Put the Wheel Brush (L) into the left concavity of the Sinker Plate and insert the screw.

3. Put the pin on the Sinker Plate into the hole of Wheel Brush, then screw it up.



4. Set the other side of the brush.

7) **STEP 4** Set the Card Lock Lever at ∇ mark. Then operate the K-Carriage and start knitting. Rehang the Claw Weights after knitting somewhat.

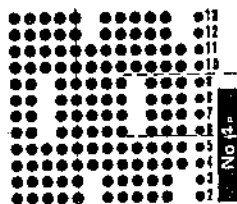
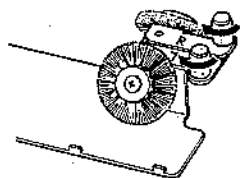
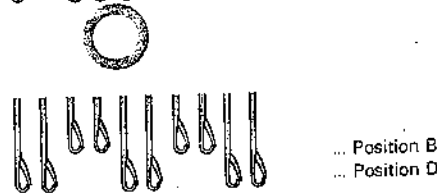


*** NOTE (IN TUCK AND TWO COLOUR TUCK STITCH PATTERN)**

After knitting the pattern.....

Make sure that **two needles** don't come side by side in B position.

- Remove the wheel brushes and put them back in the case.
- Set the Rubber Wheels to the normal position.



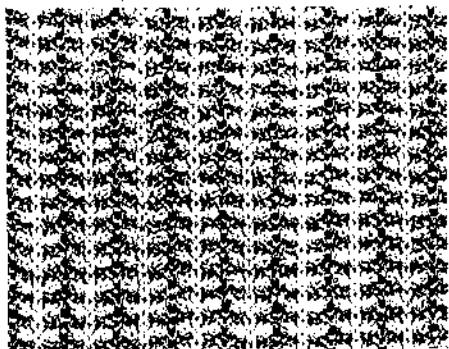
More than three rows

Do not use thicker yarn when there are more than three rows of perforations continuously on the Punch Card.

Card No. 4p

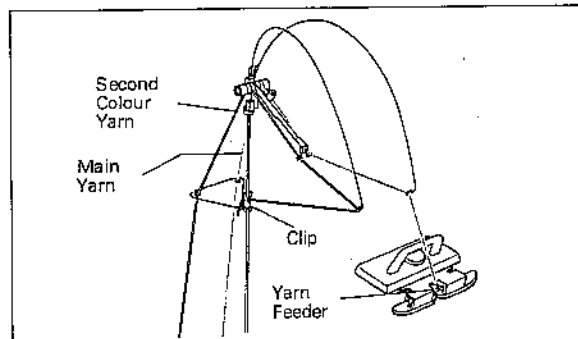
TWO COLOUR TUCK STITCH PATTERN

The operation of this pattern is same as that of Tuck Stitch Pattern, except changing the yarn at every two rows. (In case of Card No. 4p, change the yarn at ★ mark.)

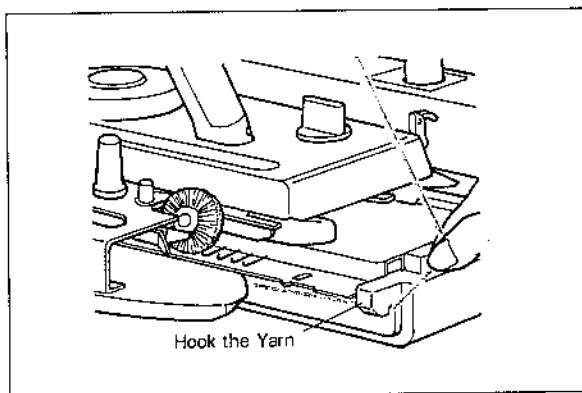


Card No. 2p

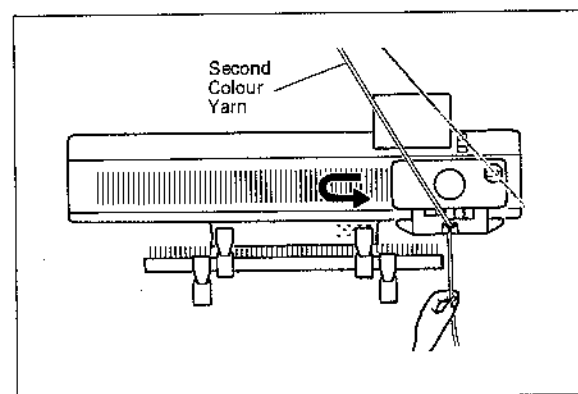
- 1) Thread the Yarn Tension Unit as shown in the figure and follow the same procedure as explained in 1 ~ 7 in Tuck Stitch Pattern. Then knit two rows.



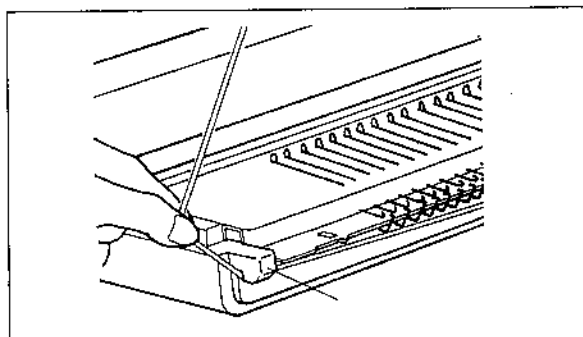
- 2) Take the main yarn out of the Yarn Feeder and hook it at the edge of the machine to hold it.



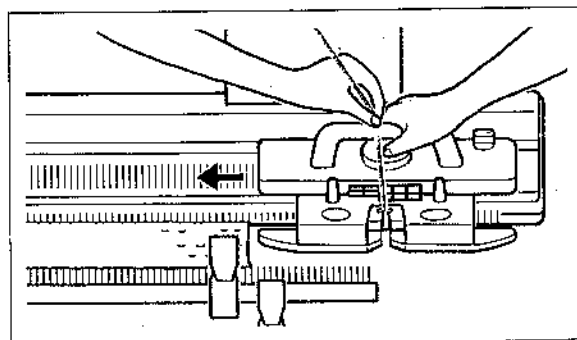
- 3) Then thread the second colour yarn and knit two rows.



- 4) Take the Second Colour Yarn out of the Yarn Feeder and hook it at the edge of the machine.



- 5) Change the yarn in the Yarn Feeder at every two rows.

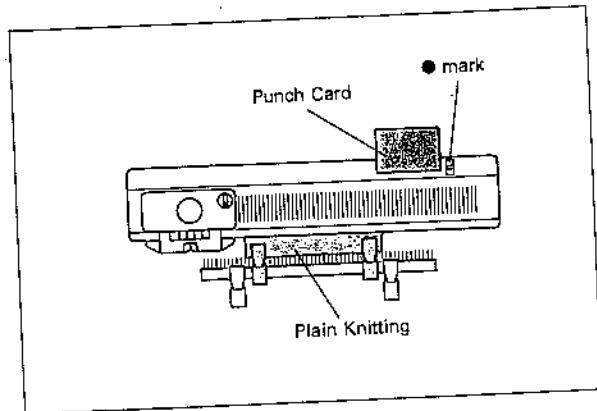
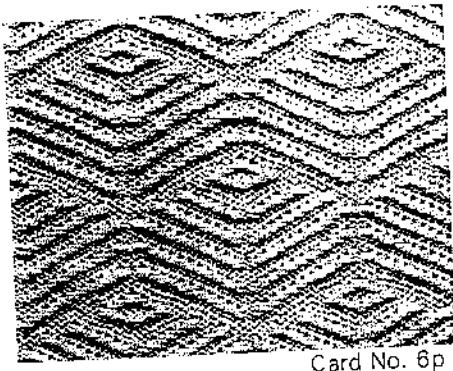


* Refer to the NOTE on page 23.

- * Move the carriage to the right with pulling the yarn rightly not to make any slack.
- * Rehang the Claw Weights.

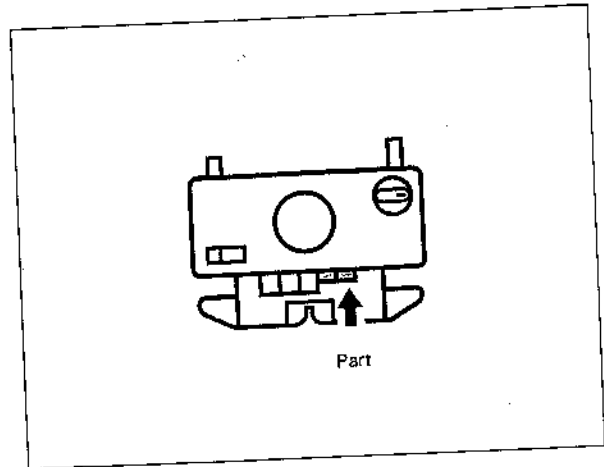
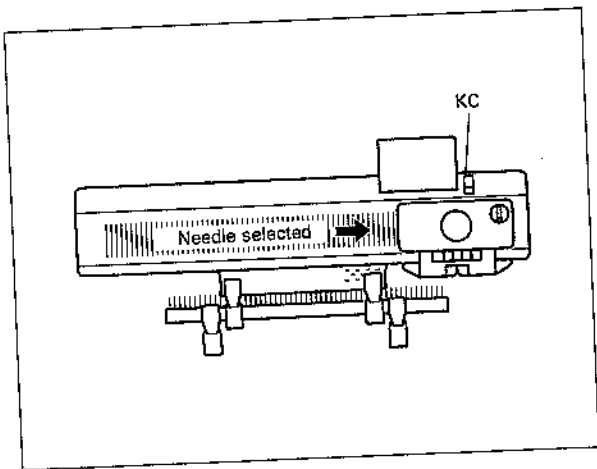
SKIP STITCH PATTERN (You can use the Card No. 1p, 2p, 3p, 4p, 5p, 6p, 7p, 8p)

1) **STEP 1** After knitting several rows of Plain Knitting, place the carriage at the left. Set the Punch Card and the Card Lock Lever at ● mark. Hang the Claw Weights.

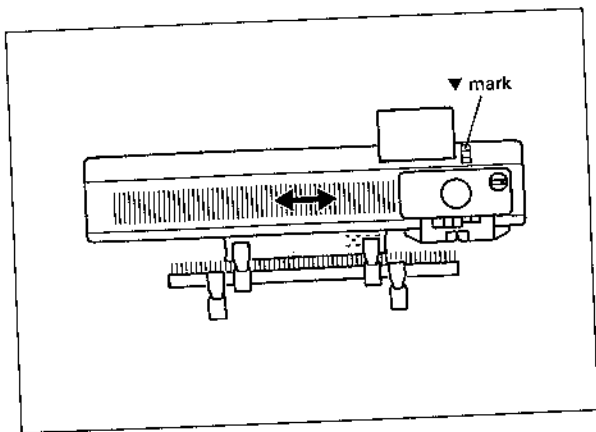


2) **STEP 2** Set the Change Knob to the KC position. Then move the carriage to the left. The needles shall be selected.

3) **STEP 3** Push both Part buttons at the same time.

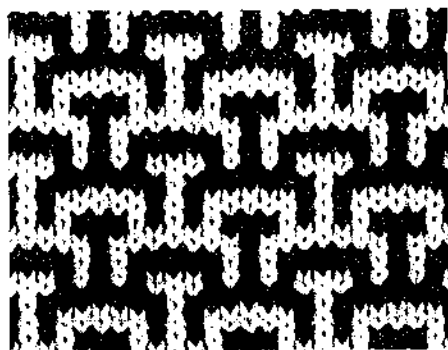


4) **STEP 4** Set the Card Lock Lever at ▼ mark. Then operate the K-Carriage and start knitting. Rehang the Claw Weights after knitting somewhat.



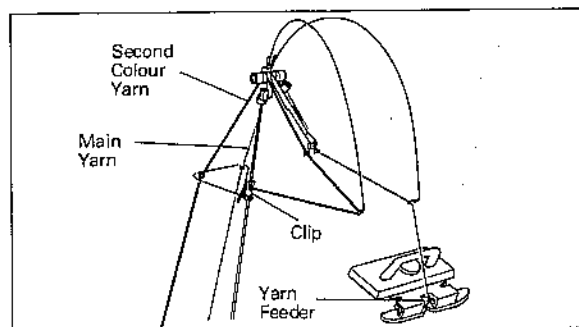
TWO COLOUR SKIP STITCH PATTERN

The operation of this pattern is same as that of Skip Stitch Pattern, except changing the yarn at every two rows.



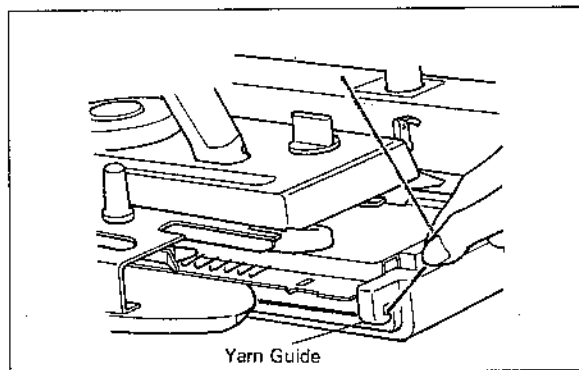
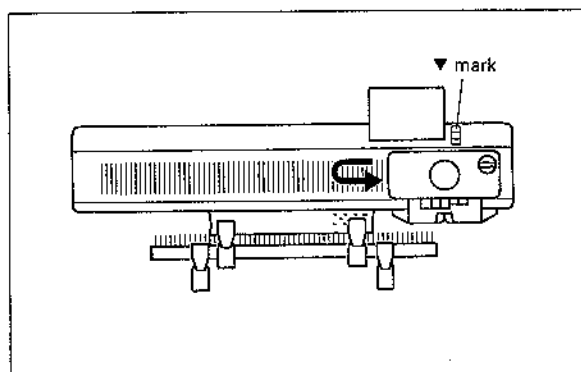
Card No. 3p

- 1) Thread the Yarn Tension Unit as shown in the figure.



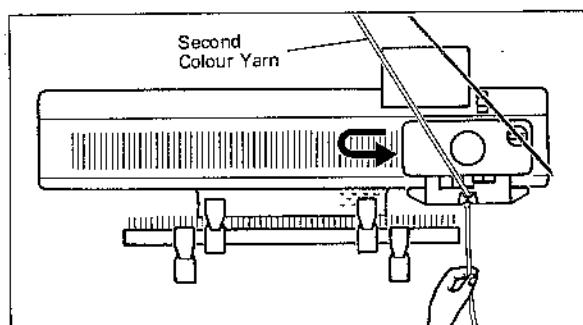
- 2) Follow the same procedure as explained in 1 ~ 4 in Skip Stitch Pattern. Then knit two rows.

- 3) Take the main yarn out of the Yarn Feeder and hook it at the edge of the machine to hold it.



- 4) Then thread the second colour yarn and knit two rows.

- 5) Change the Yarn in the Main Yarn Feeder at every two rows.

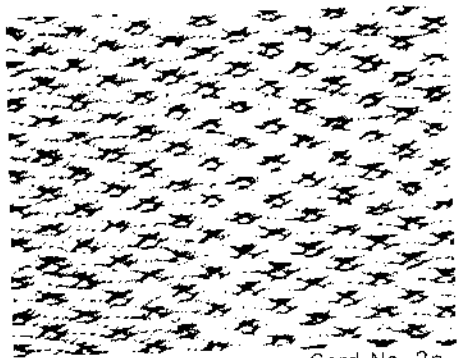


NOTE

... IN TWO COLOUR TUCK/SKIP STITCH PATTERN ...

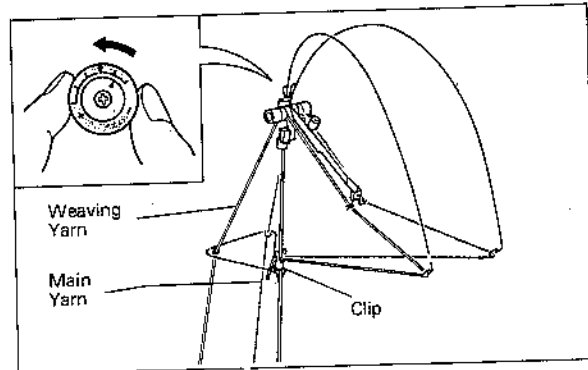
Make sure that the two yarn do not cross!!
Hold the left side yarn on the Yarn Tension Unit at left edge and right ones at right edge, too.

WEAVING PATTERN (You can use the Card No. 1p, 2p)

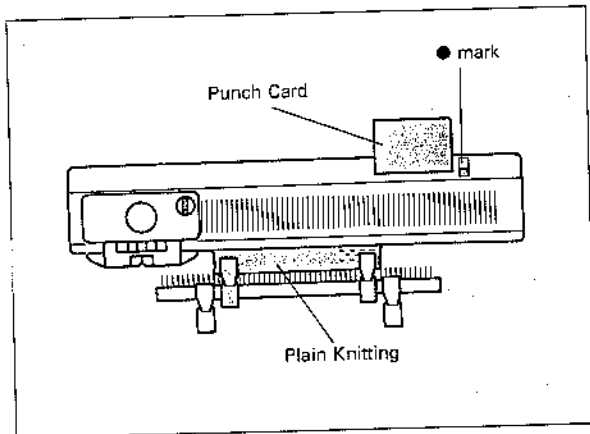


Card No. 2p

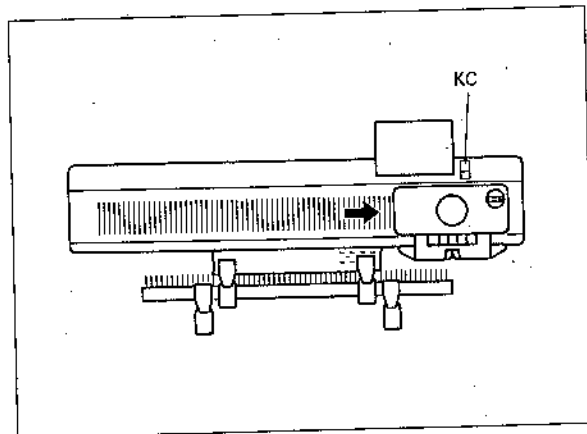
- 1) Thread the Yarn Tension Unit as shown in the figure. Adjust the Discs according to the thickness of the weaving yarn.
(Refer to page 14.)



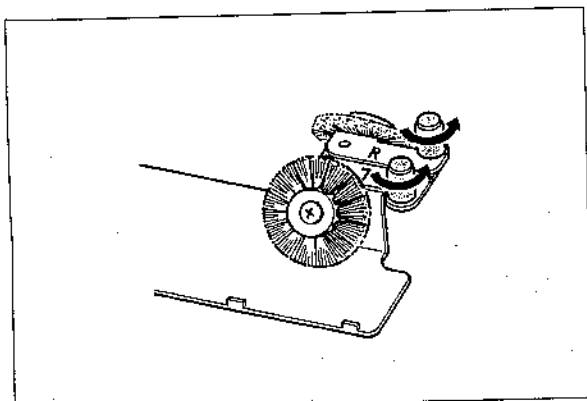
- 2) **STEP 1** After knitting several rows of Plain knitting and place the K-Carriage on the left side of the machine. Set the Punch Card and the Card Lock Lever at "●" mark. Hang the Claw Weights.



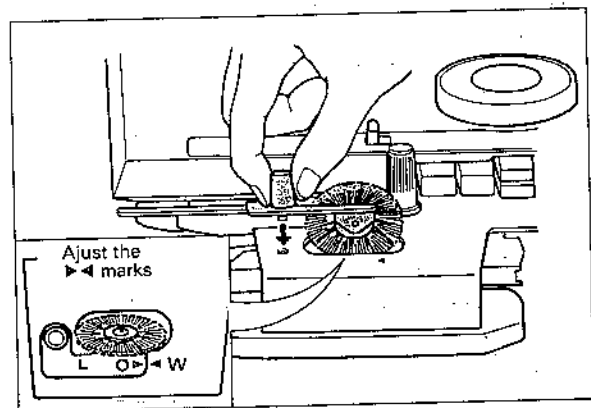
- 3) **STEP 2** Set the Change Knob to the KC position and move the K-Carriage from left to right. The needles shall be selected.



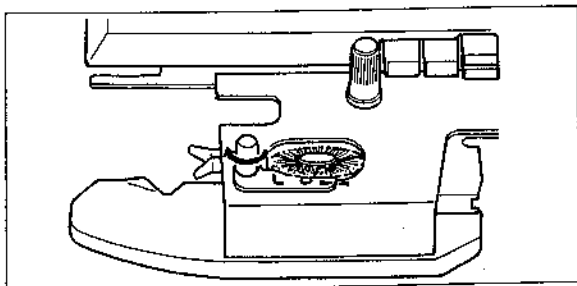
- 4) **STEP 3** Set the Wheel Brushes.
 1. Remove the Wheel Brushes from the case.



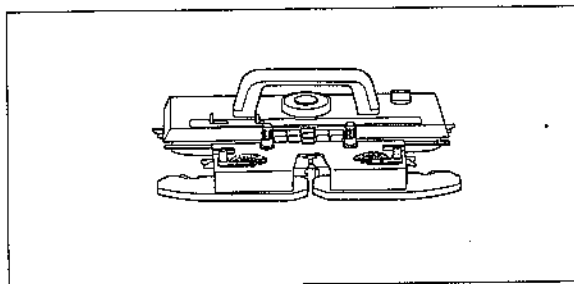
2. Put the Wheel Brush (L) into the left hole of the Sinkers Plate and insert the screw into the mark hole.



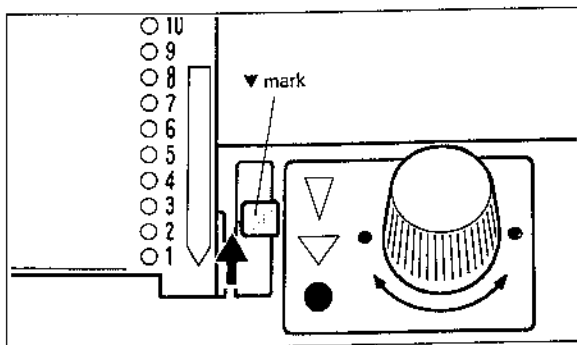
3. Put the Pin on the Sinker Plate into the hole of Wheel Brush, then screw up.



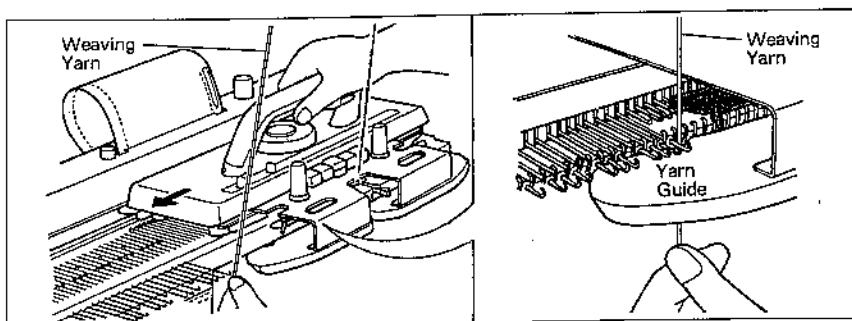
4. Set the other side of the brush.



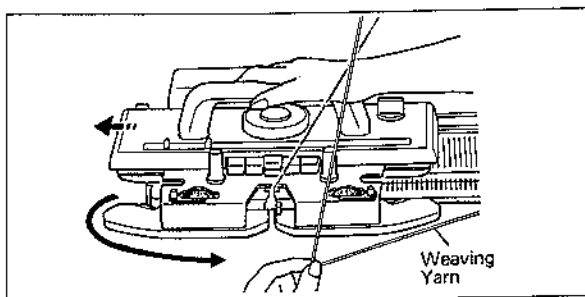
5) **STEP 4** Set the Card Lock Lever at "▼" mark.



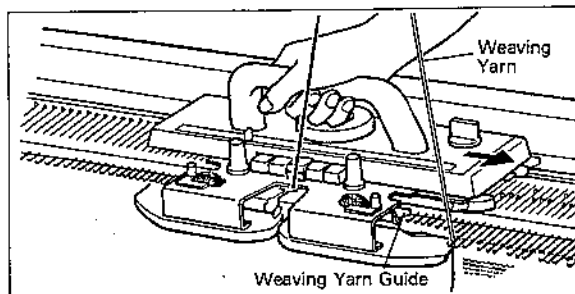
6) Hold the end of the Weaving yarn with your left hand and thread it in the Weaving Yarn Guide of the left side of the K-Carriage. Then operate the carriage. Release the end of the yarn after knitting one row.



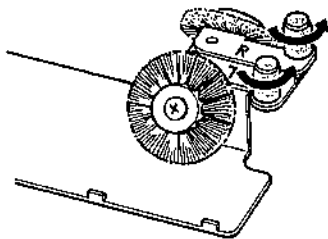
7) Remove the Weaving yarn from the left Weaving Yarn Guide with moving the K-Carriage slightly to the left. Pass the Weaving yarn under the K-Carriage to the right Weaving Yarn Guide.



8) Move the K-Carriage to the right making sure that the Weaving yarn is in the right Weaving Yarn Guide. Continue to knit bringing the Weaving yarn from left Yarn Guide to right. Rehang the Claw Weights.

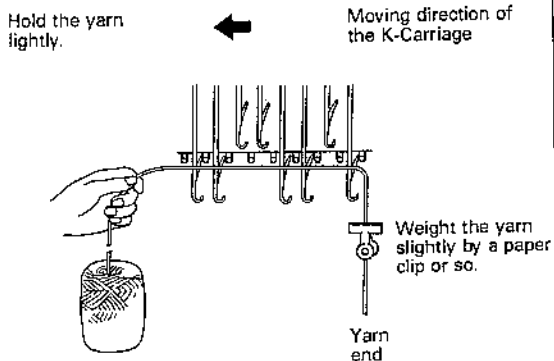


AFTER KNITTING WEAVING PATTERN ...
Remember to set back the Wheel Brush into the case.

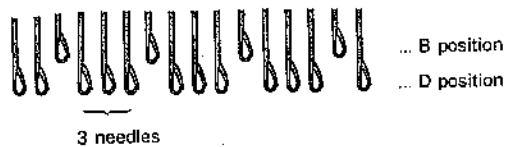


NOTE

IN CASE OF USING MORE THAN TWO WEAVING YARN ...
There is another way to knit the Weaving Pattern. Lay the Weaving yarn on the selected needles from the carriage's side as shown in the figure. Then operate the K-Carriage.



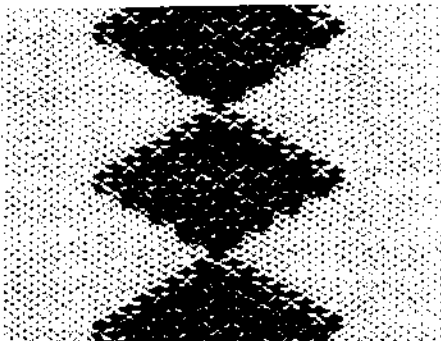
IN WEAVING PATTERN, **THREE NEEDLES** ARE THE LIMIT TO BE SELECTED TO POSITION D SIDE BY SIDE.



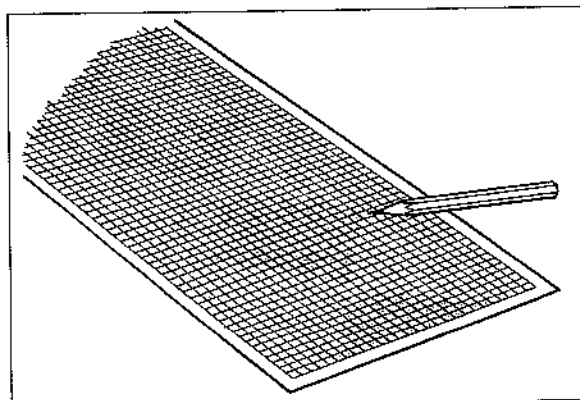
WEAVING MOTIF PATTERN

(Manual Operation)

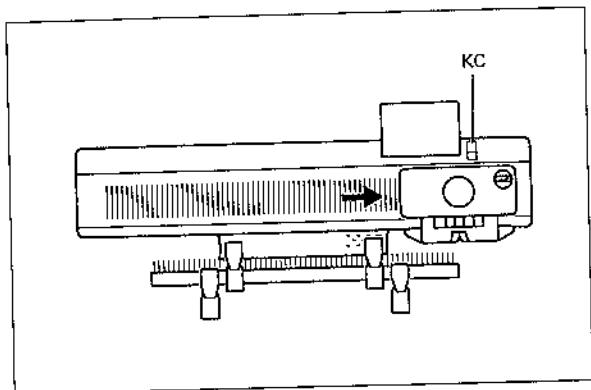
1) Draw the pattern in the diagram before you knit. Otherwise, use the Knit-leader.



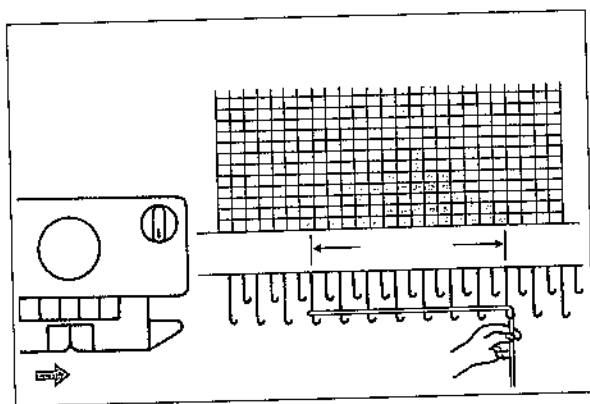
Card No. 1p



2) Follow the same procedure as explained in Weaving Pattern. (No. 1 ~ 5)

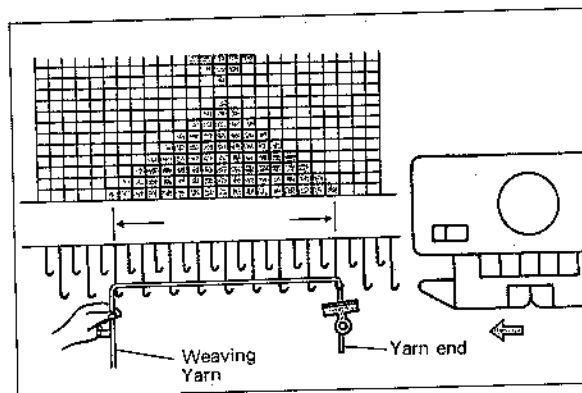


4) Lay the Weaving yarn according to the diagram of the next row.



* Remember to set back the Wheel Brush into the case.

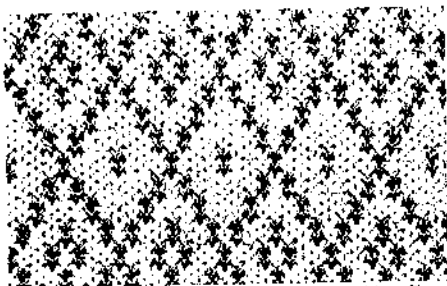
3) Lay the Weaving yarn on the needles that is shown in the diagram. Make sure the yarn end should come to the carriage's side. (Refer to the **NOTE** in Weaving Pattern.) Then operate the K-Carriage.



5) Continue to knit referring to the diagram. Rehang the Claw Weights.

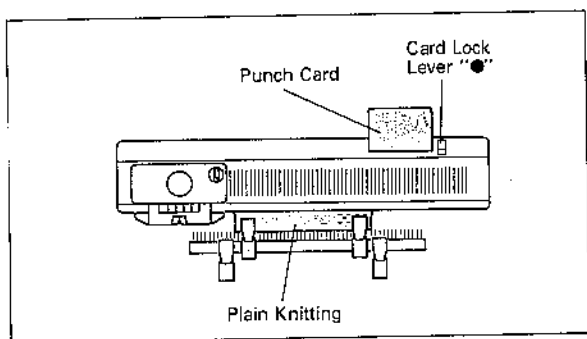
FAIR-ISLE PATTERN (You can use the Card No. 1p, 2p, 6p, 7p, 8p, 9p, 10p, 11p, 12p, 15p)

You can knit two different colour in one row in Fair-isle Pattern.

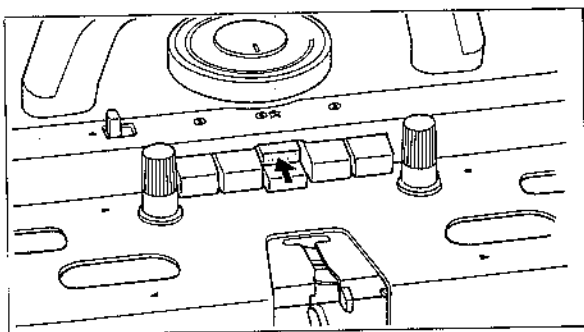


Card No. 7p

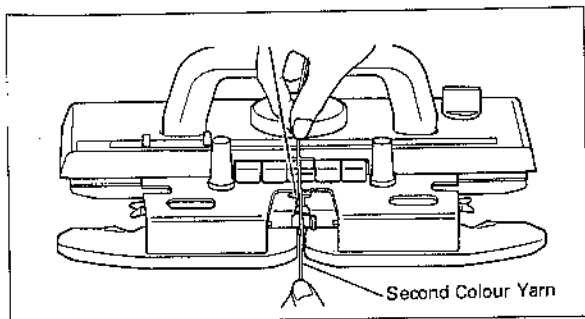
- 2) **STEP 1** Knit several rows of Plain Knitting and place the K-Carriage on the left side of the machine. Set the Punch Card and the Card Lock Lever at ● mark.



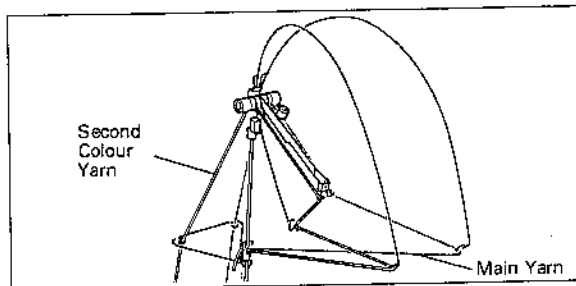
- 4) **STEP 3** Push the upper side of MC button.



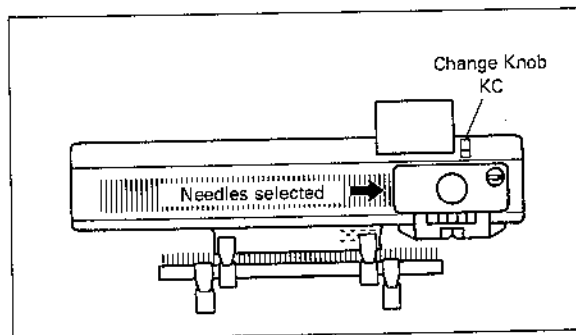
- 6) Thread the second colour yarn into the Yarn Feeder B without opening the Yarn Feeder Lever.



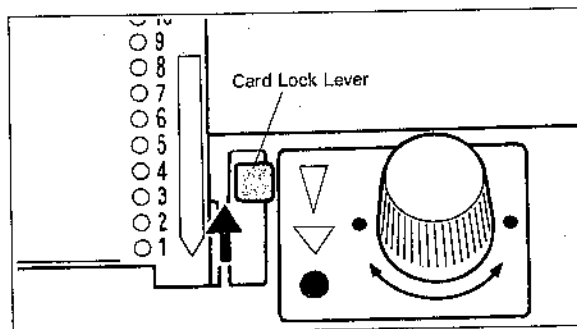
- 1) Thread and clip the yarn as shown in the figure.



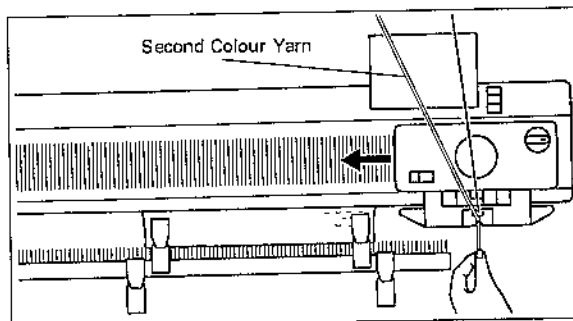
- 3) **STEP 2** Set the Change Knob to the KC position and move the K-Carriage from left to right. The needles shall be selected.



- 5) **STEP 4** Set the Card Lock Lever at the ▼ mark.

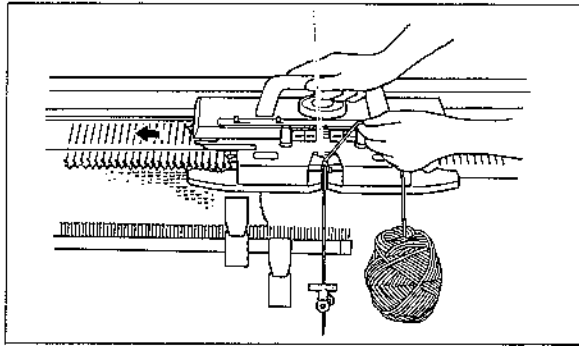


- 7) Operate the K-Carriage with holding the yarn end with your left hand.

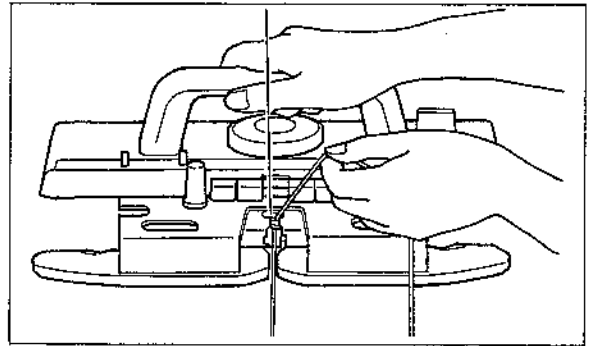


IN CASE OF USING MORE THAN THREE COLOUR YARN

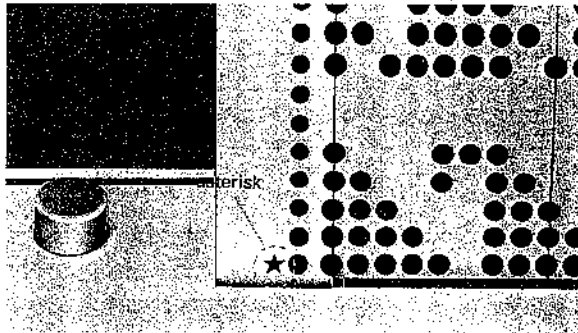
- 1) Thread the main colour yarn at the right side of the Yarn Tension Unit.
- 2) Place the second colour yarn at your feet.
(You had better thread it in the Yarn Tension Unit if it must be knitted for many rows.)
- 3) Hang the weight (like a clip) at the end of the second yarn.



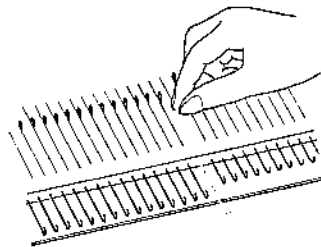
- 4) Operate the K-Carriage with holding the yarn end with your left hand.



- 5) Change the second colour yarn in the Yarn Feeder B to the third one when the asterisk on the left side of the Punch Card comes to the slit.

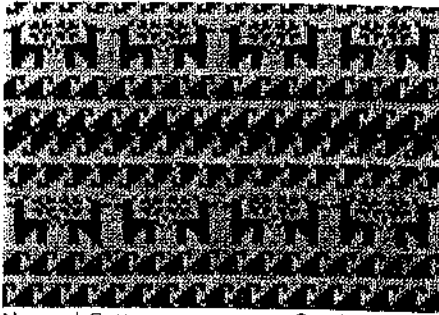


NOTE

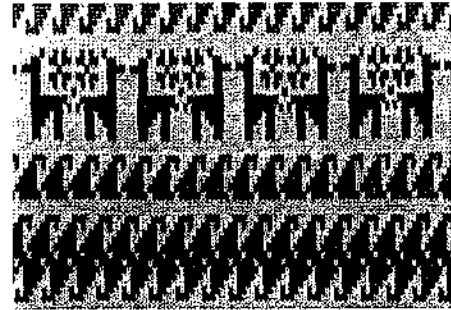


Sometimes only both end needles might be selected to position D. In that case, bring the needles back to position B by your hand.

DOUBLE LENGTH PATTERN

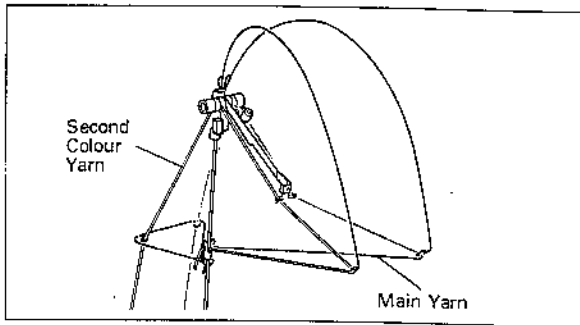


Normal Pattern Card No. 9p

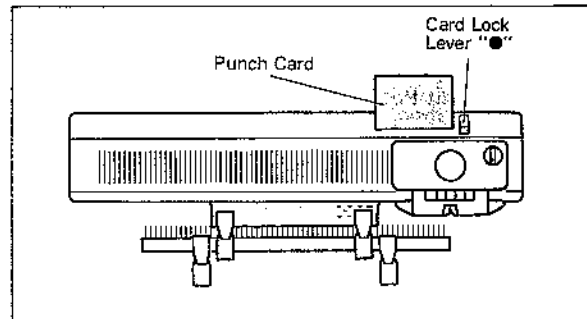


Double Length Pattern Card No. 9p

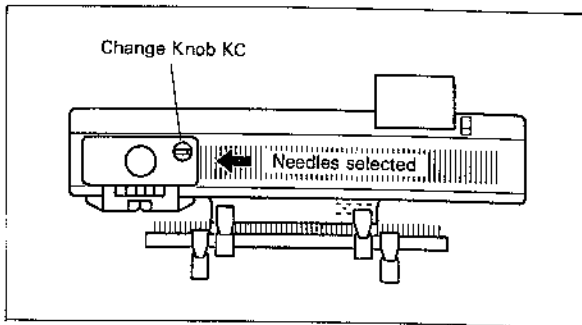
1) Thread the Yarn Tension Unit as shown in the figure.



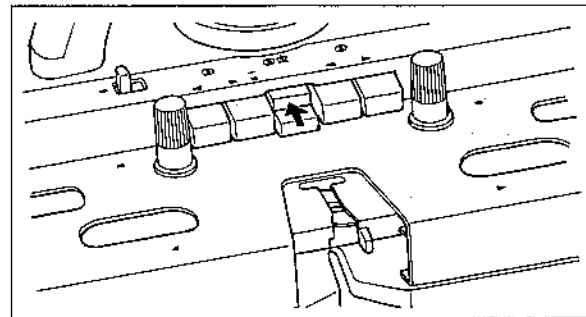
2) **STEP 1** Knit several rows of Plain Knitting and place the K-Carriage on the right side of the machine. Set the Punch Card and the Card Lock Lever at ● mark.



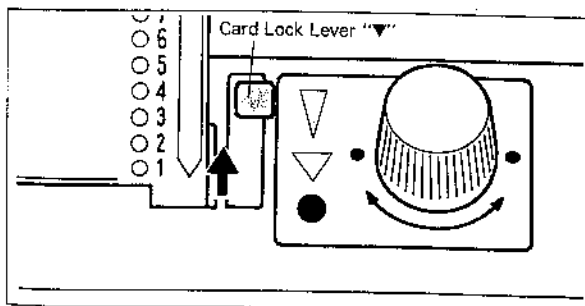
3) **STEP 2** Set the Change Knob to the KC position and move the K-Carriage from right to left. The needles shall be selected.



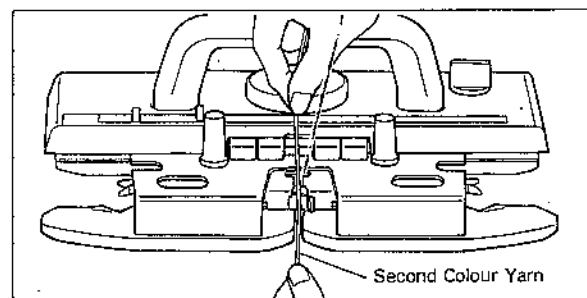
4) **STEP 3** Push the upper side of MC button.



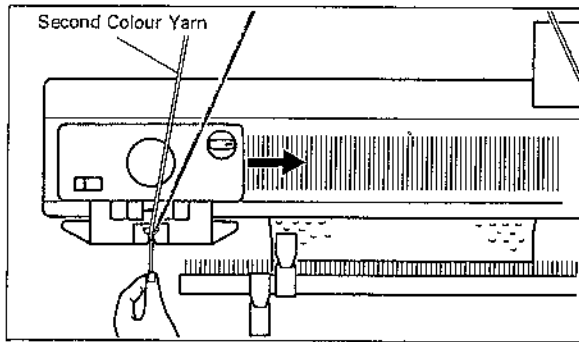
5) **STEP 4** Set the Card Lock Lever at the ▽ mark.



6) Thread the second colour yarn into the Yarn Feeder B.



- 7) Operate the K-Carriage with holding the yarn end with your left hand.
Rehang the Claw Weights.



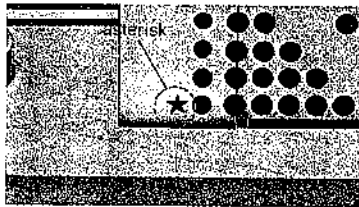
*The Punch Card is rotated only when the K-Carriage moves from left to right.

When Knitting Normal and Double Length Patterns Mixed.

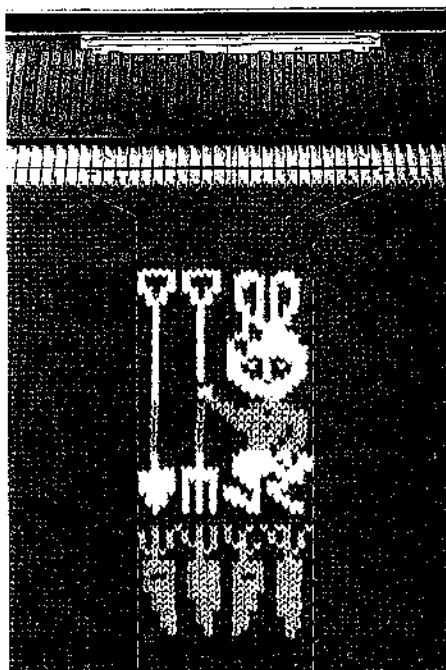
In the same way as the Double length patterns, put the K-Carriage on the right side of the machine and select the needles.

When the "★" mark on the left side of the punch card comes to the slit, change the setting of the Card Lock Lever ("▽" or "▼") and continue knitting.

When you change the Card Lock Lever, the K-Carriage is always on the left side of the machine.



FAIR-ISLE MOTIF PATTERN



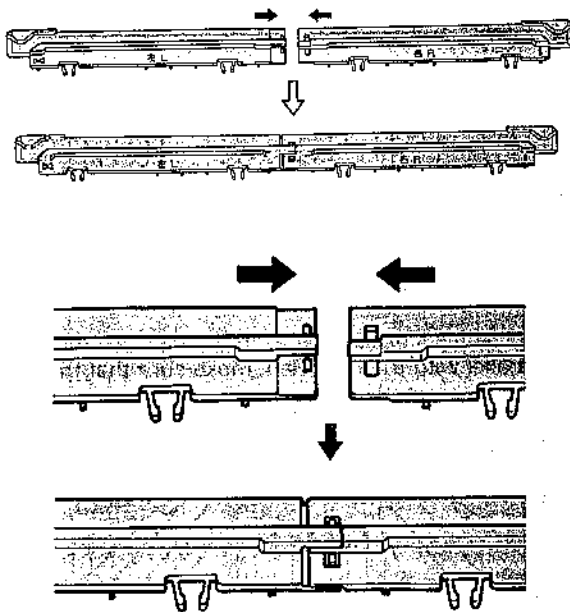
Card No. 10p

CONNECT THE MOTIF KNITTING CAMS (L) & (R)

Join the each end of the cams and push until you hear "click".

To disconnect, pull both cams out.

Motif Knitting Cams cannot be used individually.



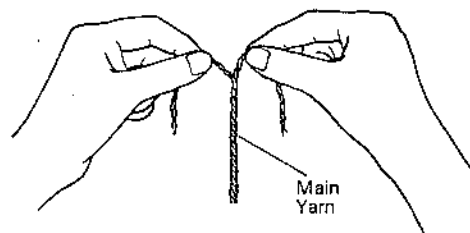
PREPARATION

- Punch card
- ▲ Main colour yarn
- ▲ Second colour yarn
 - according to your pattern prepare the necessary colour of yarns

Make single strand yarn by separating the main colour yarn.

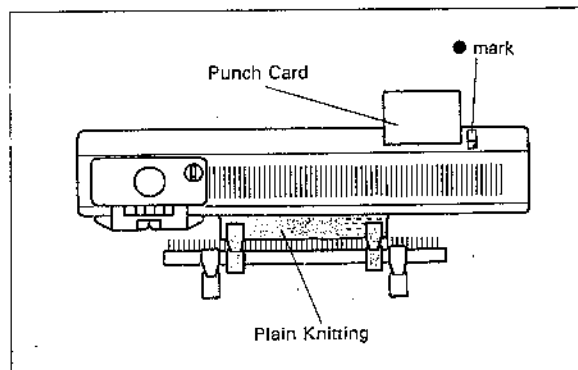
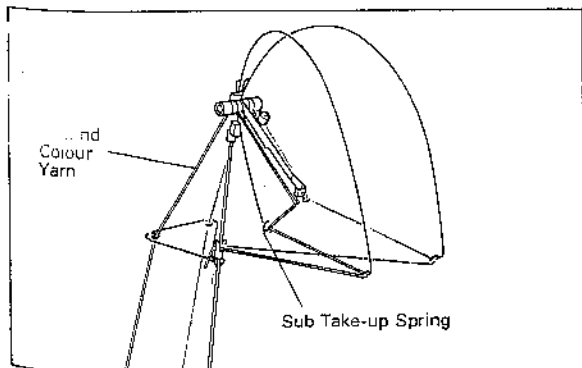
(Prepare 2 pcs. of them)

* You can use very fine yarn of which colour is the same as the main yarn.

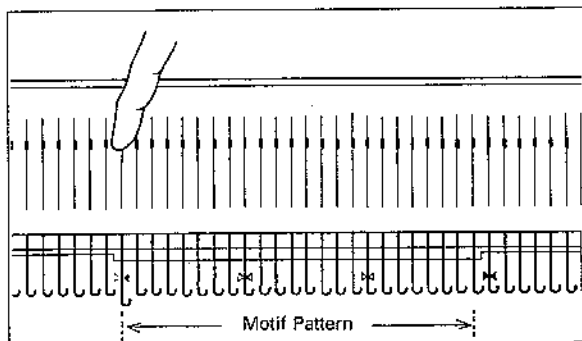


1) Read the Yarn Tension Unit as shown in the figure. Thread the second colour yarn through the Sub Take-up Spring.

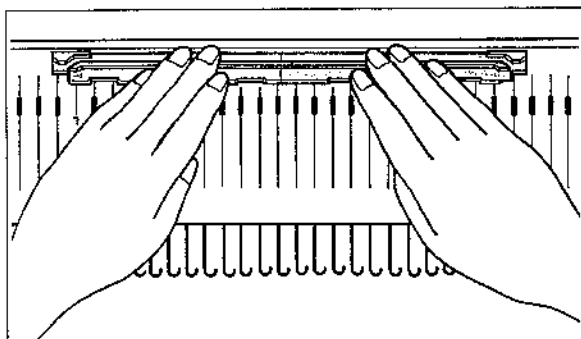
2) **STEP 1** Knit several rows of Plain Knitting and place the K-Carriage on the left side of the machine. Set the Punch Card and the Card Lock Lever at "●" mark. Hang the Claw Weights.



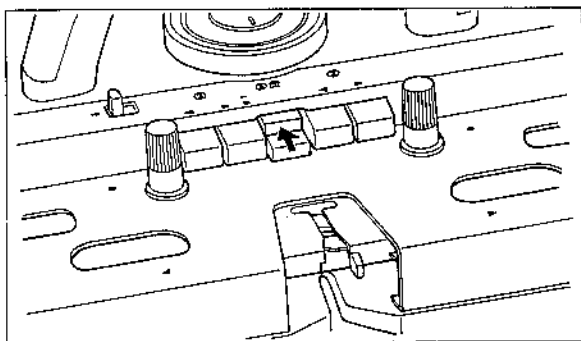
3) Decide the place to set the cams with adjusting ∇ mark on the Rear Rail and the cams. It is easy to find the place by bringing forward the ∇ mark needles.



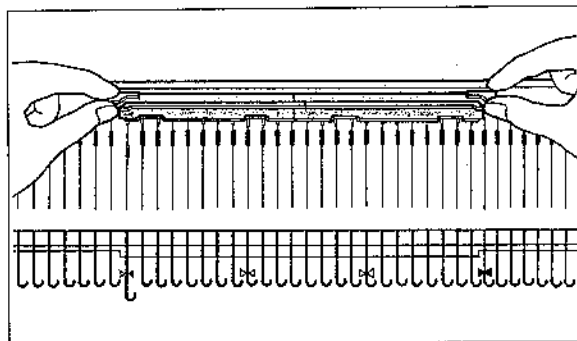
5) Push the cams back as far as they go and set them in parallel with the Rear Rail. Make sure that they are put in correctly.



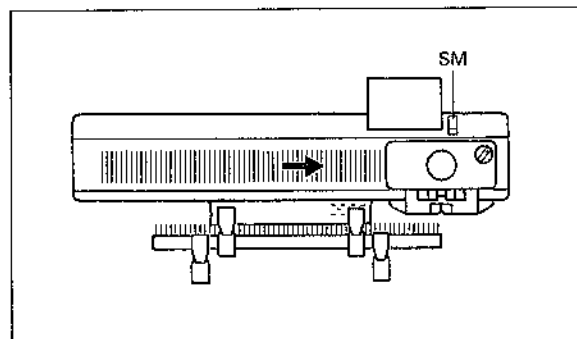
7) **STEP 3** Push the upper side of MC button.



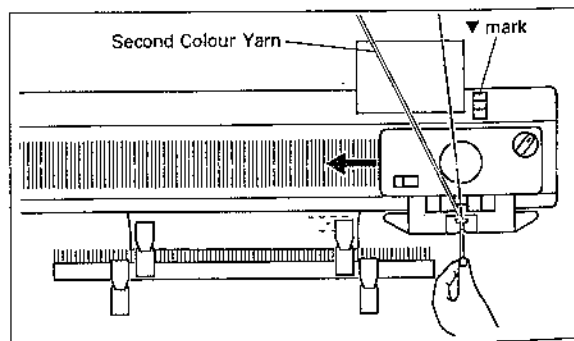
4) Place the Motif Knitting Cams on the needle bed by adjusting to the ∇ mark on the Rear Rail and the cams.



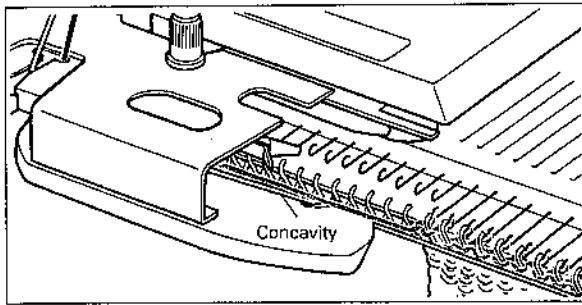
6) **STEP 2** Set the Change Knob to the SM position and move the K-Carriage from left to right. The needles shall be selected.



8) **STEP 4** Set the Card Lock Lever at the ∇ mark. Thread the second yarn into the Yarn Feeder B and operate K-Carriage with holding the yarn end slightly.

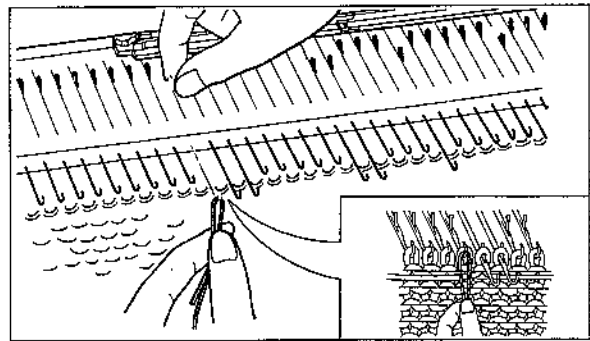
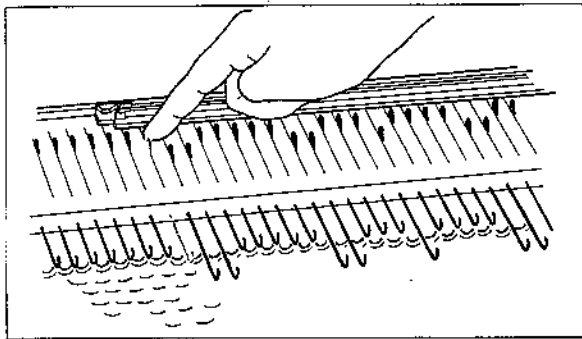


9) Make sure the second colour yarn should come under the concavity of the Sinker Plate.



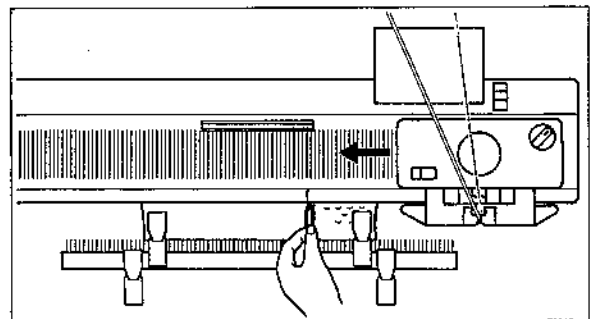
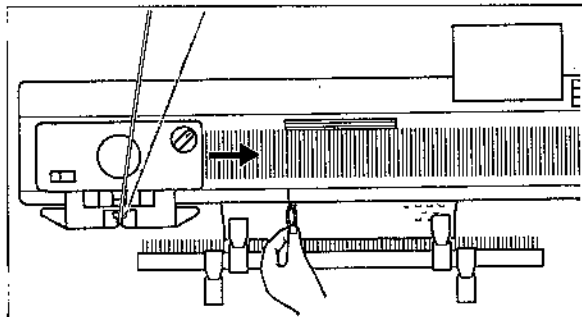
* Pull the yarn up slightly if there are any slack.

10) Bring the second needle from the end of the selected needles on the K-Carriage's side forward to position D and place separate single strand yarn into the hook. Then push the needle to position D.



11) Remove any slack of yarn and move the K-Carriage to right with holding slightly the single strand yarn with your hand.

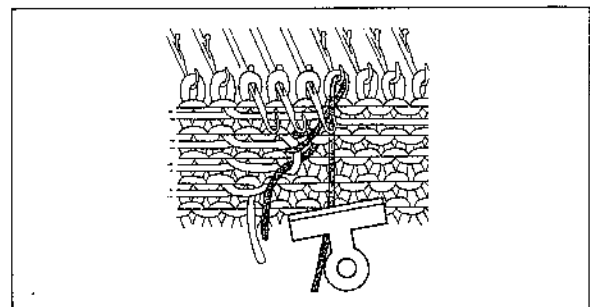
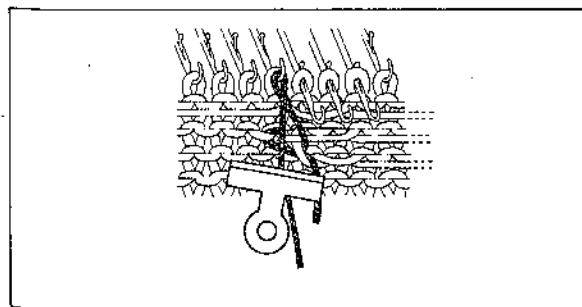
12) Hook another yarn in the same way as on the side. Then operate the K-Carriage.



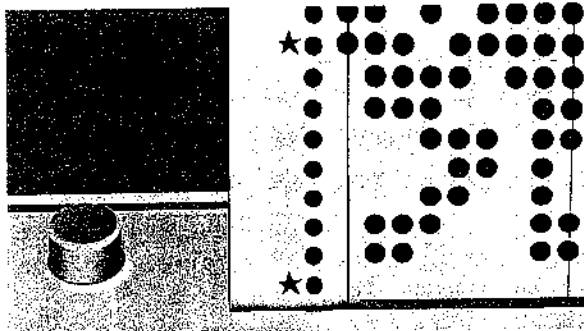
13) Continue to knit hooking yarn every time you knit one row at the K-Carriage's side. This can avoid to make any holes at the edges of the motif. Hang right weights (ex. clips) on the yarn to avoid the slack.

IN CASE OF THE K-CARRIAGE BEING ON THE LEFT SIDE

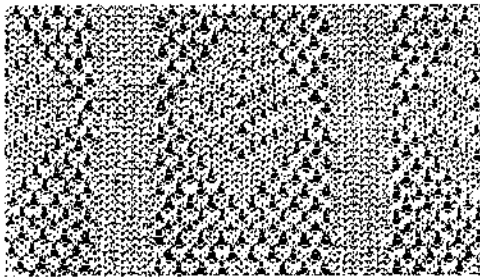
IN CASE OF THE K-CARRIAGE BEING ON THE RIGHT SIDE



14) Change the second colour yarn in the Yarn Feeder B to the third one when the asterisk to the left side of the Punch Card comes to the slit. Rehang the Claw Weights.



THREAD LACE PATTERN (You can use the Card No. 1p, 11p, 12p, 13p, 14p, 15p)

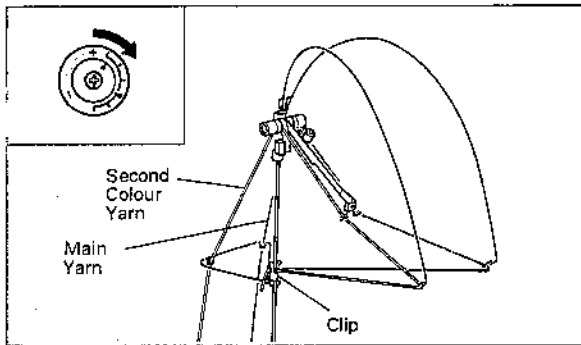


Card No. 15p

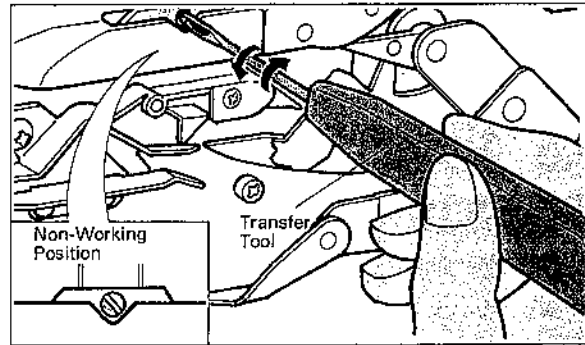
*Bring the end needles back to position B by your hand at every row.

This pattern is knitted by the combination of thick yarn and very fine yarn. Use Thick or Double Knit Yarn as the main yarn and Very Fine Yarn of the similar colour as the second yarn.

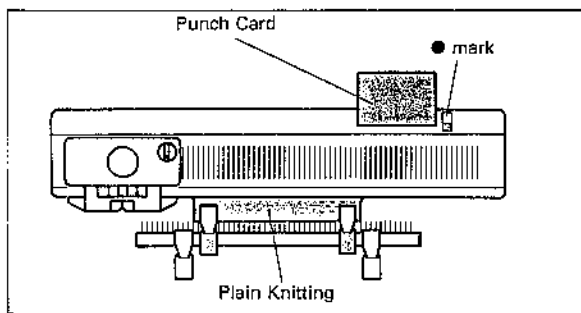
- 1) Thread the Yarn Tension Unit as shown in the figure. Adjust the Discs for using very fine yarn.



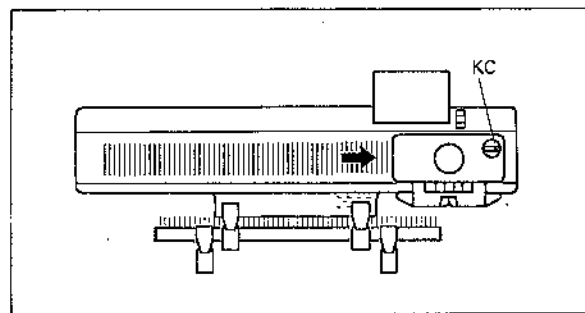
- 2) Release the end needle selection mechanism. Refer to page 42. If the both end needles should be selected, bring them back to position B.



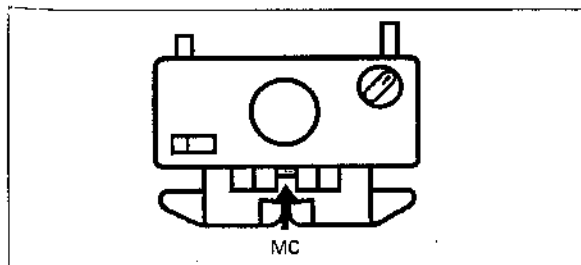
- 3) **STEP 1** After knitting several rows of Plain Knitting, place the carriage at the left. Set the Card and the Card Lock Lever at "●" mark. Hang the Claw Weights.



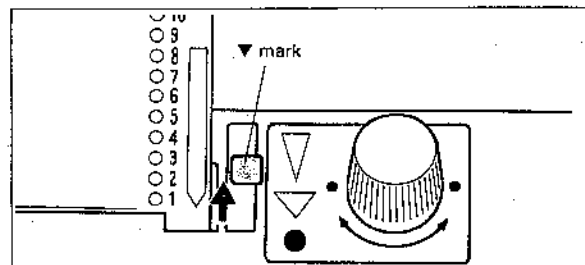
- 4) **STEP 2** Set the Change Knob to the KC position and move the K-Carriage from left to right. The needles shall be selected.



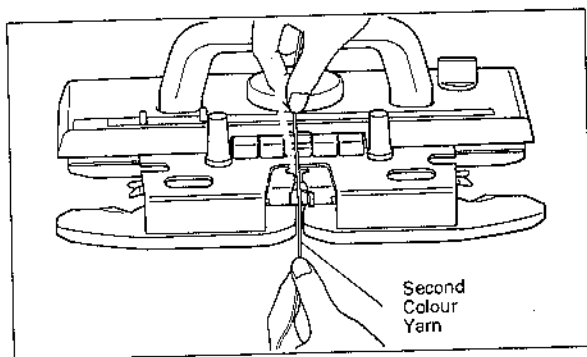
- 5) **STEP 3** Push the MC buttons (both upper and lower ones) at the same time.



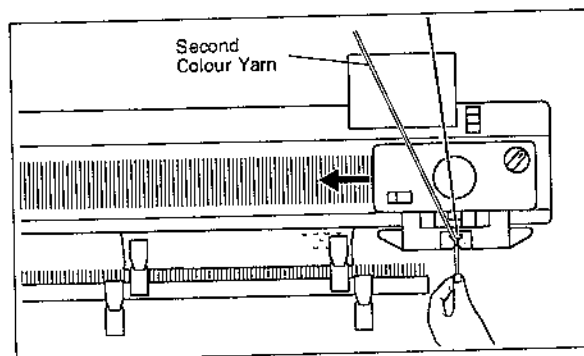
- 6) **STEP 4** Set the Card Lock Lever at the ▼ mark.



7) Thread the second colour yarn into the Yarn Feeder B without opening the Yarn Feeder Lever.

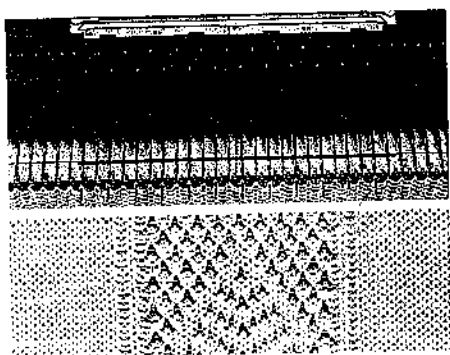


8) Operate the K-Carriage with holding the yarn end with your left hand.

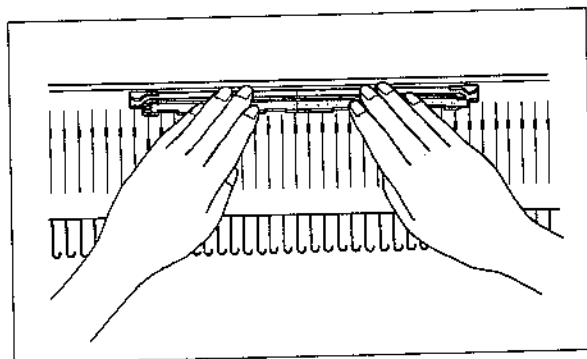


THREAD LACE MOTIF PATTERN

You can enjoy motif pattern in Thread Lace Pattern, too. Refer to the explanation of Fair-isle Motif Pattern and place the Motif Knitting cams on the needle bed.



Card No. 15p

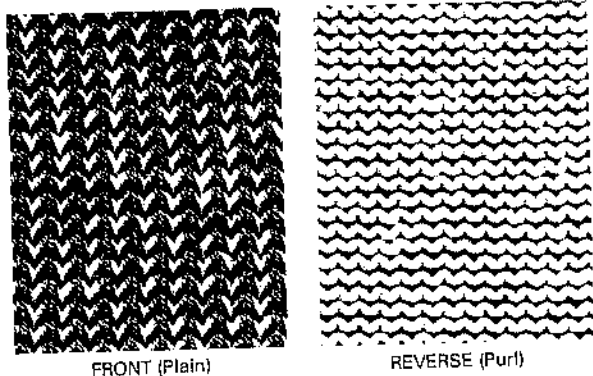


NOTE

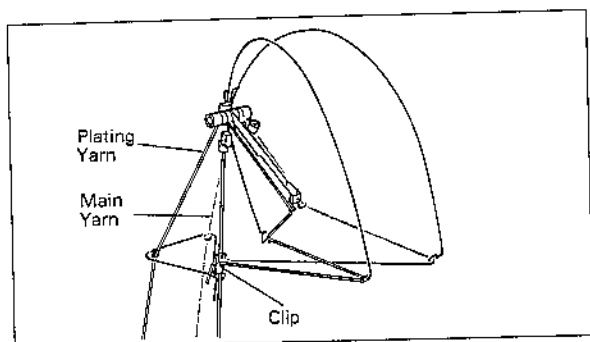
IN THREAD LACE PATTERN, **TWO NEEDLES** ARE THE LIMIT TO BE SELECTED TO POSITION D SIDE BY SIDE.



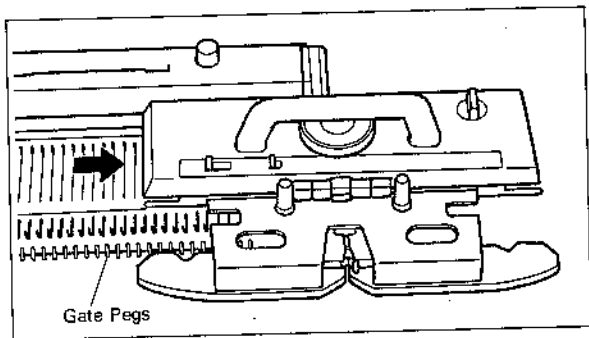
PLATING YARN KNITTING



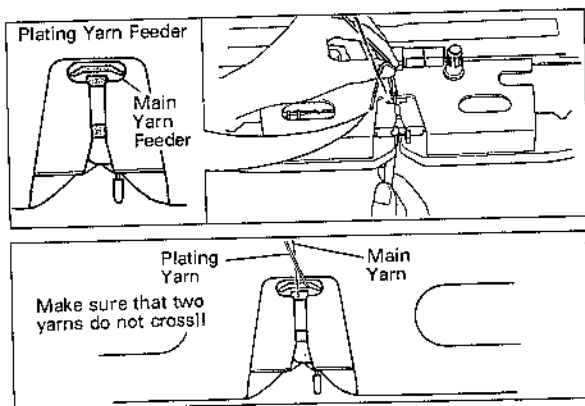
1) Thread the yarn as shown in the figure.



3) Move the K-Carriage out side of the Gate Pegs.



5) Thread the plating yarn in the Plating Yarn Feeder. Pull down the yarn by using the Latch Tool.



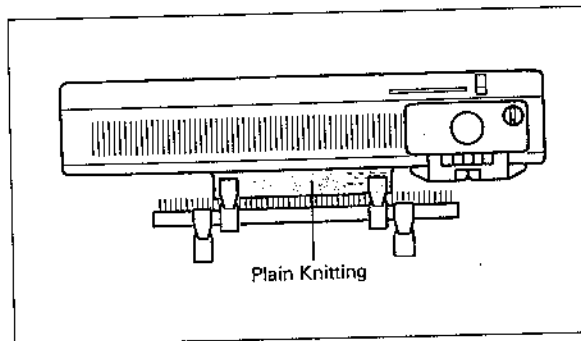
With the Plating Yarn Feeder it is possible to use two yarns to knit a reversible fabric with different colours on the front and reverse side.

The main yarn will appear on the front (plain) side of the fabric and plating yarn will appear on the reverse (purl) side of the fabric.

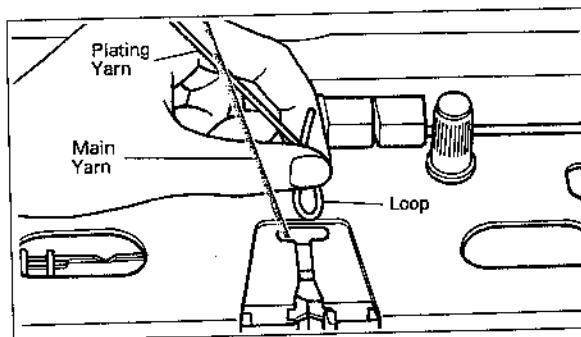
SUGGESTED TENSION DIAL NUMBER

MAIN YARN	PLATING YARN	TENSION DIAL
Medium (3 ply)	Medium (3 ply)	2 ~ 6
Medium (3 ply)	Thick	4 ~ 8
Thick	Thick	6 ~ 10

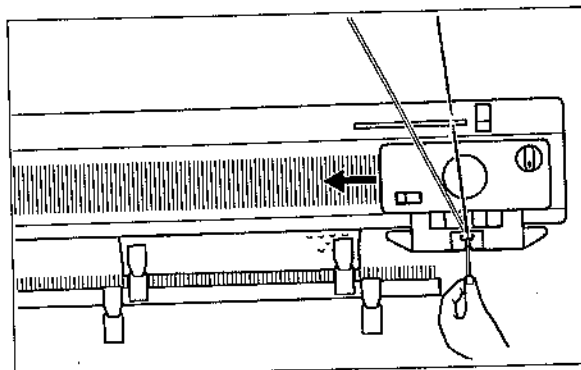
2) Knit several rows of Plain Knitting and place the K-Carriage on the right side of the machine.
* Hang the Claw Weights.



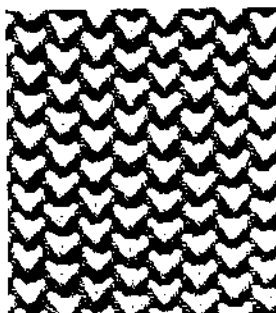
4) Pass the plating yarn behind the main yarn.



6) Operate the K-Carriage with holding the end of the yarn with your left hand.



TUCK STITCH PLATING YARN KNITTING



FRONT (Plain)

REVERSE (Purl)

Card No. 1p

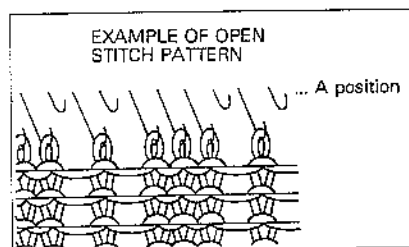
Using the punch card for Tuck stitch patterns with plating yarn knitting you can also enjoy Tuck stitch-Plating yarn knitting. (Preparation and the operation are the same as Tuck stitch pattern and Plating yarn knitting.)

SUGGESTED TENSION DIAL NUMBER

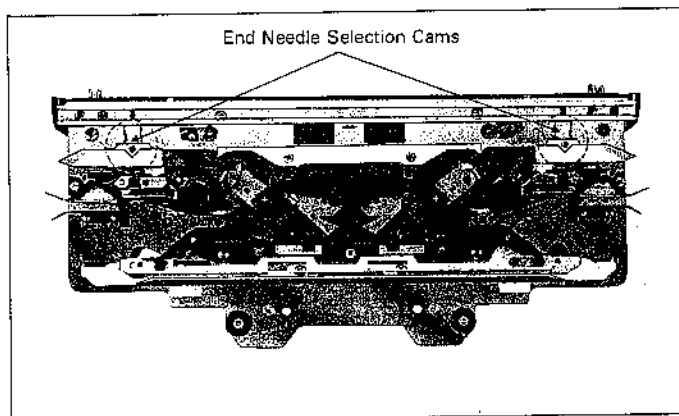
Yarn	TENSION DIAL
Medium & Medium	3 ~ 7
Medium & Thick	5 ~ 9

HOW TO CANCEL THE WORKING OF END NEEDLE SELECTION MECHANISM

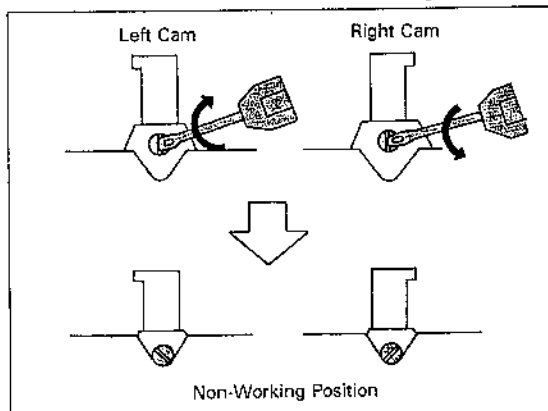
When knitting Lace Like Stitch Pattern or Open Stitch Pattern with the Punch Card (some needles remain at Position A), cancel the working of End Needle Selection Mechanism on both sides of the K-Carriage.



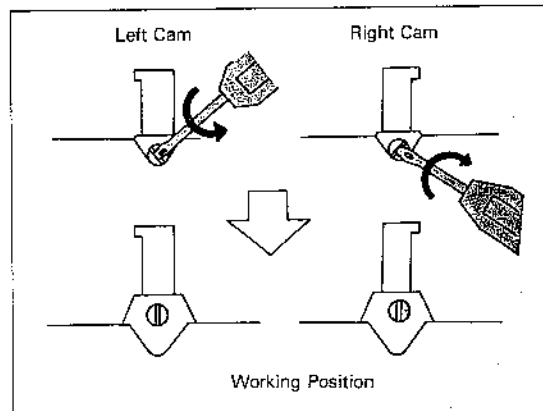
- 1) Set the Change Knob at position "KC".
- 2) Remove the K-Carriage from Needle bed and turn the K-Carriage over.
- 3) Set both End Needle Selection Cams to non-working position.
 1. By using the 1 x 3 transfer tool insert the tip of cam into the slot of cam. (See below illustrations.)
 2. Turn the transfer tool to the direction of arrow. (After knitting the Open stitch pattern, return them to the working position without fail.)



● How to set Cams to Non-Working position.

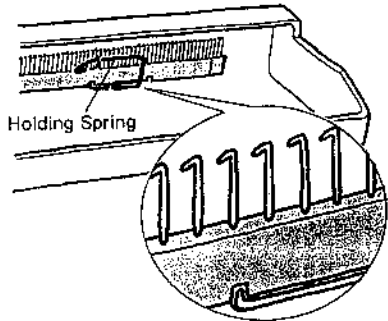


● How to return Cams to Working position.

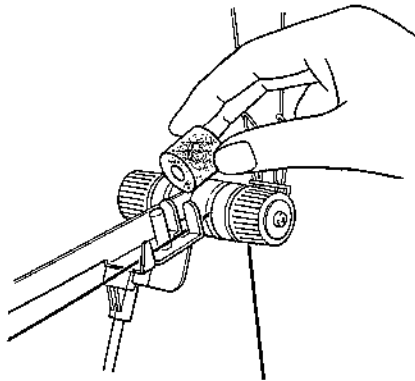


6. REPLACING THE KNITTING MACHINE IN THE CARRYING CASE

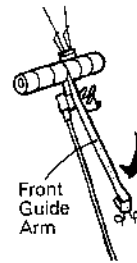
1) Join the Cast-on Comb and set it as shown in the figure. Then fix it with the Holding Springs.



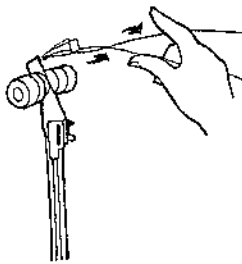
2) Remove the Wax in the case.



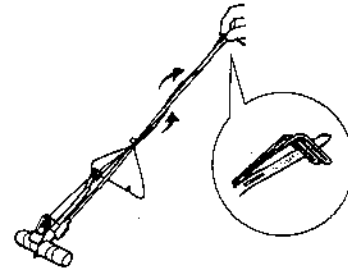
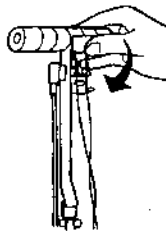
3) Fold down the Front Guide Arm.



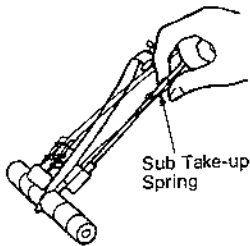
4) Wind and fix the Take-up Spring to the rod as shown in the figure.



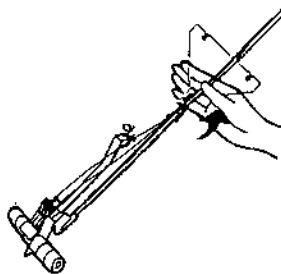
Fold down.



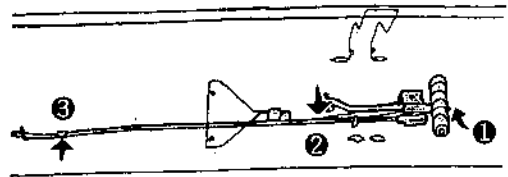
5) Put the Sub Take-up Spring on the rod.



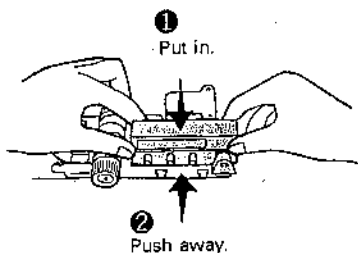
6) Fold down the Rear Yarn Guide.



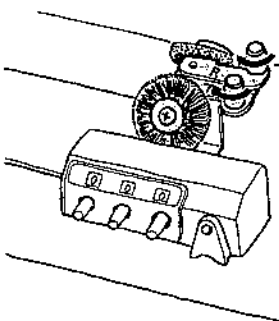
7) Set the Yarn Tension Unit in the case.



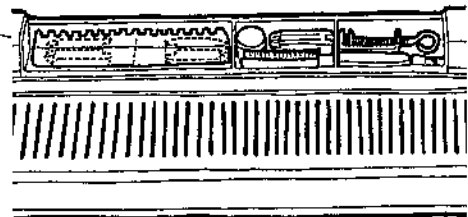
8) Set the Row Counter onto the two studs in the carrying case and push it away.



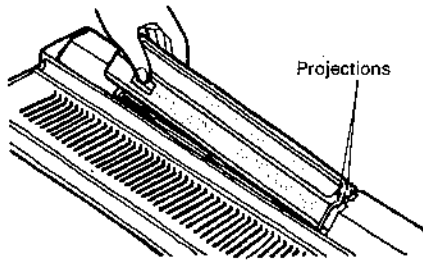
9) Fix the Wheel Brush.



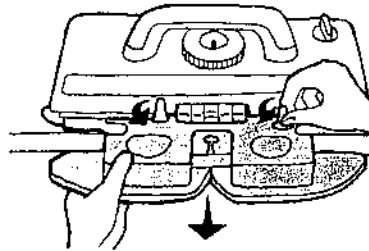
10) Remove the Table Clamps and put them in the Accessory Box with the other parts.



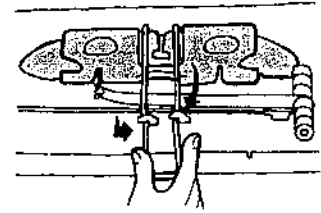
11) Close the lid.



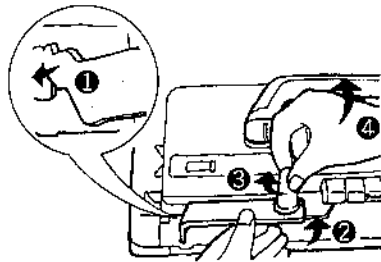
12) Loosen the knobs and remove the Sinker Plate Assembly from the K-Carriage.



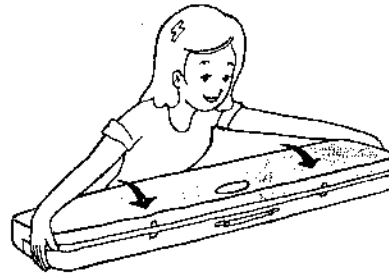
13) Put the Sinker Plate Assembly in the case and fix it by the spring.



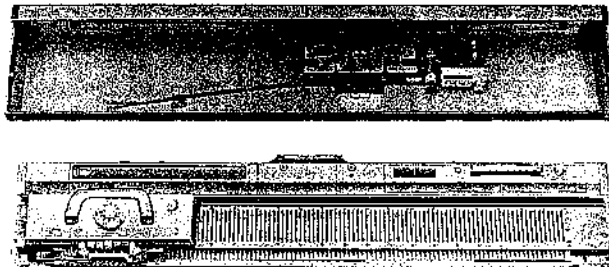
14) Insert the Carriage Lock in the hole at the left of the machine and lock the carriage. Then fold down the Carriage Handle.



15) Hold the upper case and close it. Then lock the two catches on either side of the handle.



THE STORAGE CONDITION

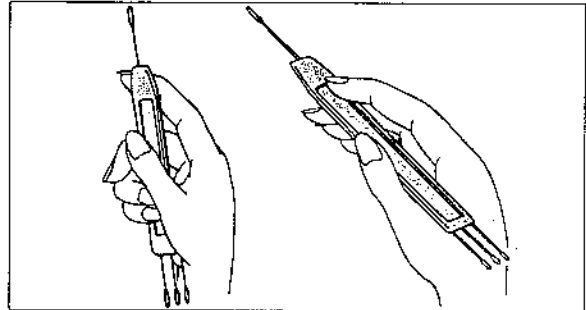


MAKING GARMENTS

(1) HOW TO USE THE TRANSFER TOOL

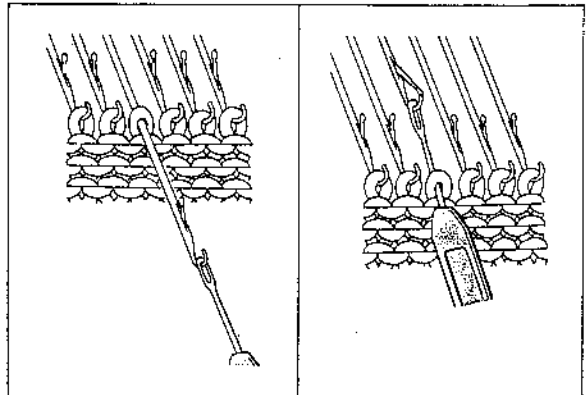
Use when you decrease, increase, transfer stitches and so on.

How to hold the transfer tool

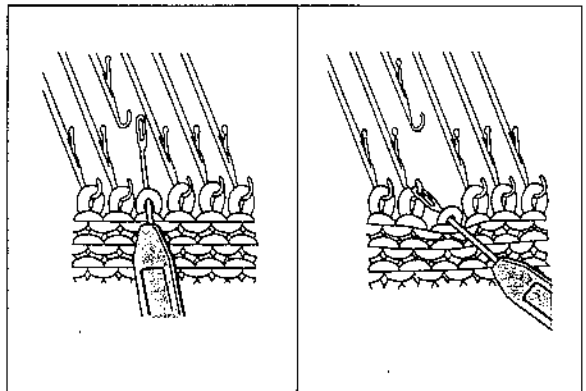


Transferring Stitch

- 1) Hook the needle with Transfer Tool and pull toward you.
- 2) Push back the Transfer Tool with the needle until the stitch is transferred onto the transfer tool.



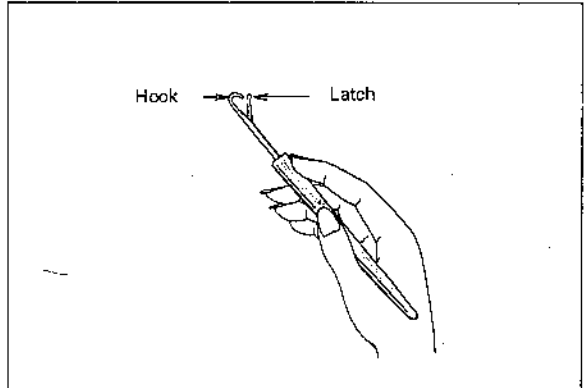
- 3) Remove the Transfer Tool onto the hook of the adjacent needle and transfer the stitch.



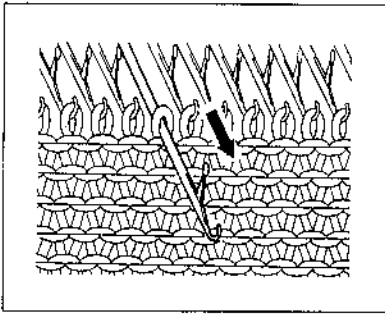
(2) HOW TO USE THE LATCH TOOL

Use when you make ribbing, pick up dropped stitch and so on.

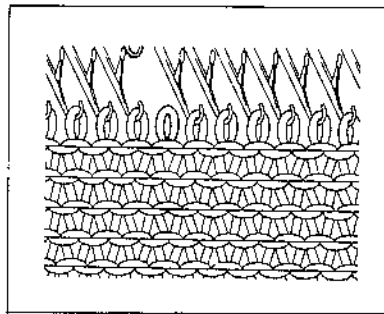
How to hold the latch tool



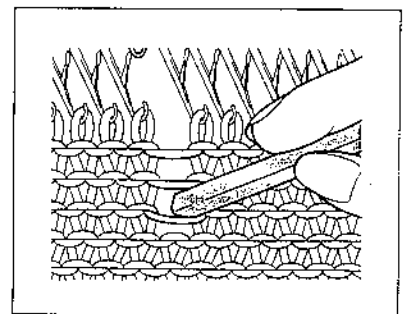
Making Rib



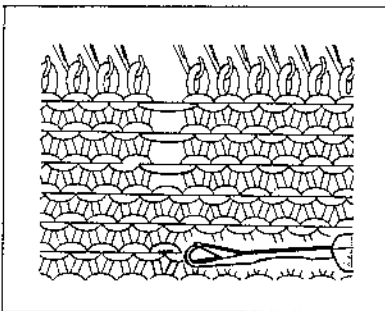
1) Bring one needle forward to position E by hand and return it to position A.



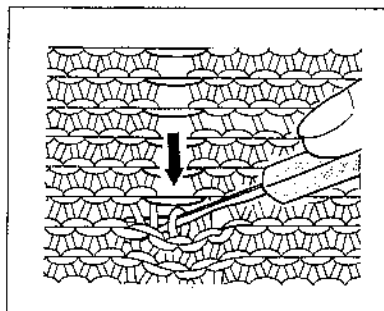
2) One stitch has been dropped from the hook of the needle.



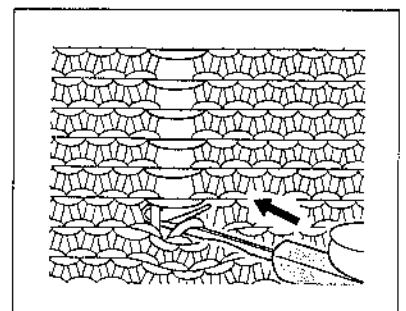
3) Using the tip of your Latch Tool, unravel your knitting.



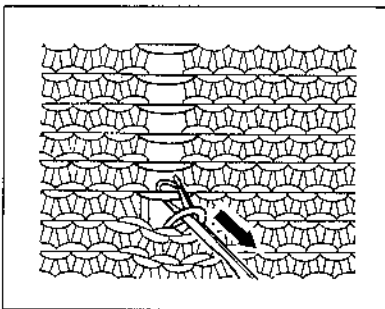
4) Drop the stitch in the line you wish to rib to a few rows above where you are to start ribbing. Then place the Latch Tool in the stitch where you wish to start ribbing.



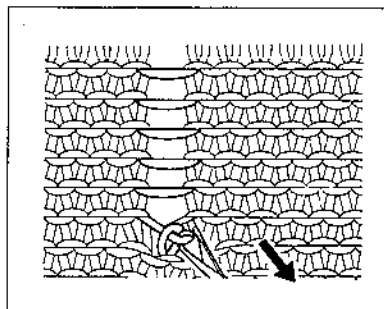
5) Depress the Latch Tool to drop the last few stitches. The stitch is on the stem of the Latch Tool.



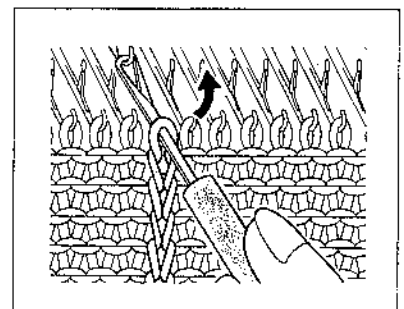
6) Hold the knitting firmly. Push the Latch Tool away from you until the stitch on the latch tool is behind the latch.



7) Catch the next parallel thread with the hook of the latch tool and pull the Latch Tool toward you.



8) The latch will close with the new yarn in the hook. Pull this new yarn through the stitch on the stem of the latch tool to form new stitch. Do not pull the latch tool strongly.



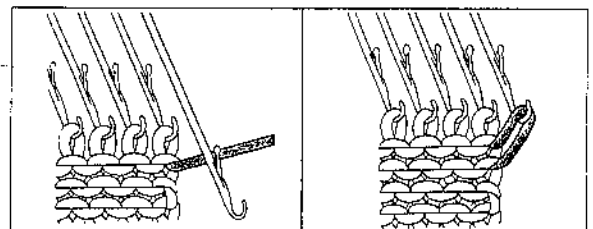
9) Repeat this until you reach the top, and hook the last stitch on the hook of the needle.

(3) HOW TO INCREASE STITCHES

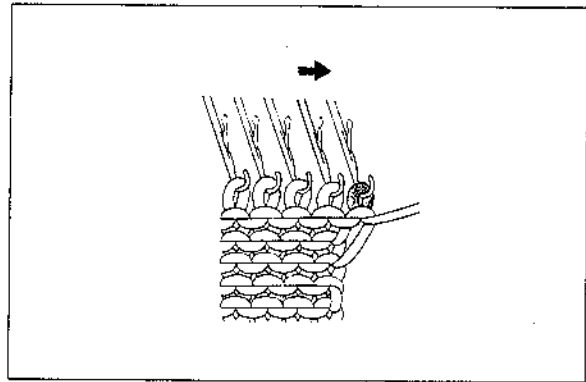
3-1. Increasing one stitch (Simple method)

On the carriage side

- 1) On the carriage side, push one edge needle from position A to E.
- 2) Knit one row, and the empty needle will pick up the yarn.



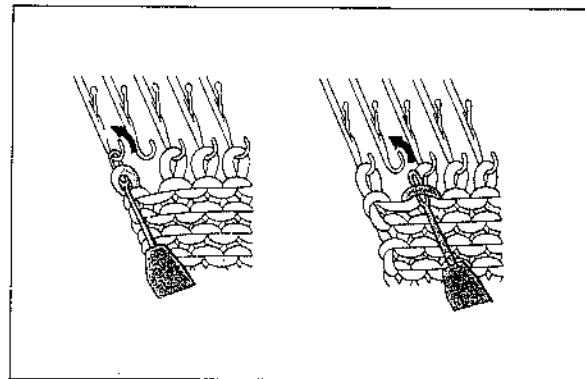
3) Knit another row, and one stitch will be formed.



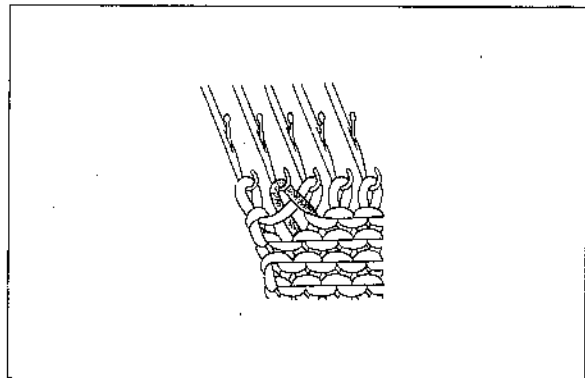
3-2 Increasing one stitch (Full fashioned method)

At either side of knitting

- 1) Using the Transfer Tool, move one stitch of edge out one needle, so that the second needle from the end becomes empty.
- 2) Pick up the one lower stitch of the 3rd needles from the edge with the Transfer Tool.



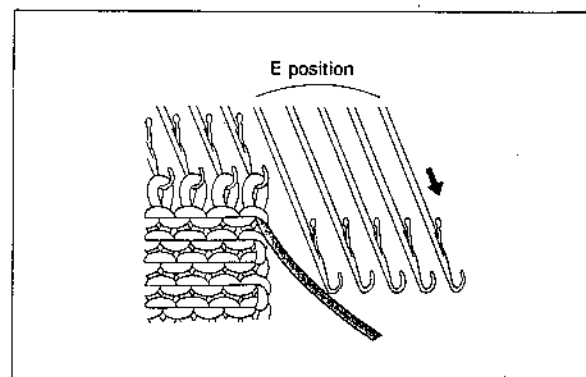
3) Hook the stitch onto the empty needle.



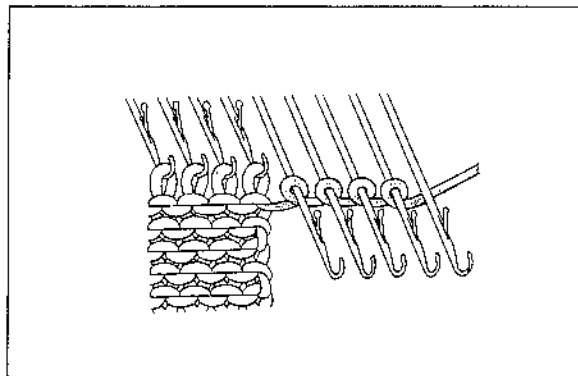
3-3 Increasing several stitches

On the carriage side

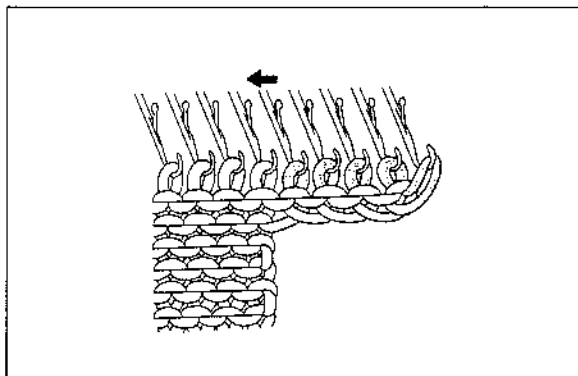
- 1) On the carriage side, pull the needles to be increased, to position E from A.



- 2) Wind the yarn loosely around the stems of each needle, but only on the edge needle pass the yarn under the needle.



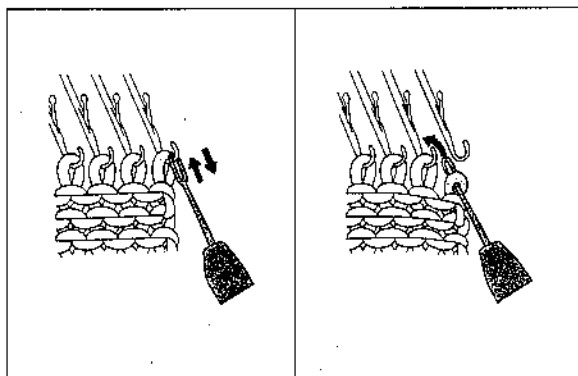
- 3) Knit one row. If not smoothly, pull the needles to increase stitches to position E.



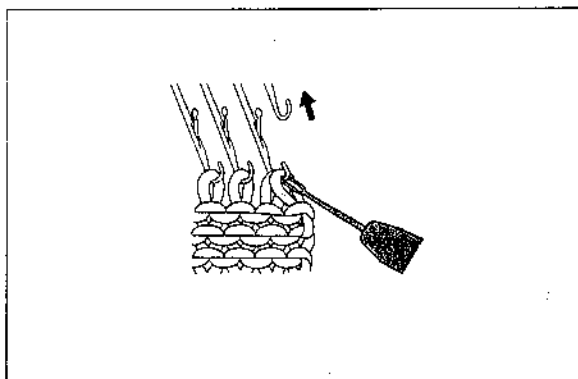
(4) HOW TO DECREASE THE STITCHES

4-1 Decreasing one stitch (Simple method)

- 1) Remove one stitch of the edge needle to the Transfer Tool.
- 2) Hook the Transfer Tool onto the inside adjacent needle.

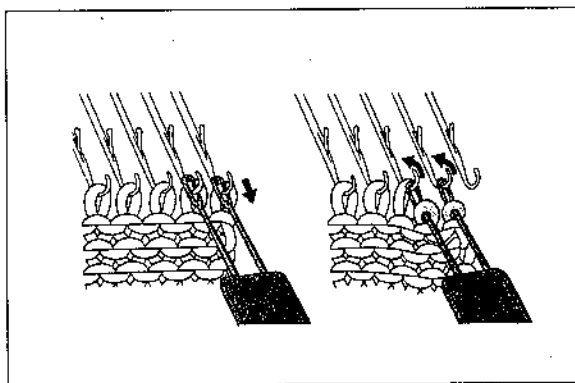


- 3) Return the empty needle to position A.

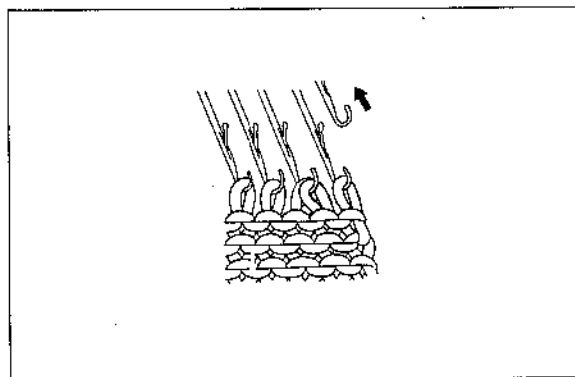


4-2 Decreasing one stitch (Full fashioned method)

- 1) Remove two stitches on the edge to 2 eyed Transfer Tool.
- 2) Hook the Transfer Tool inside one needle, and then transfer stitches.

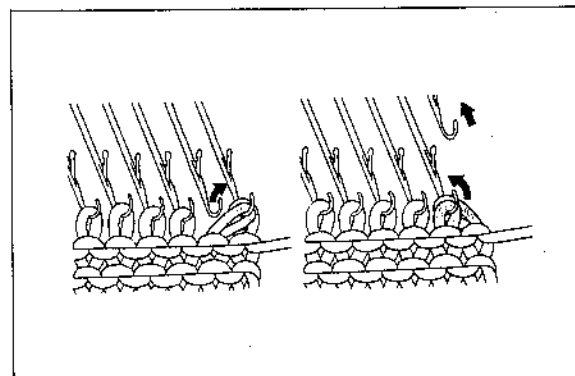


- 3) Return the empty needle to position A.

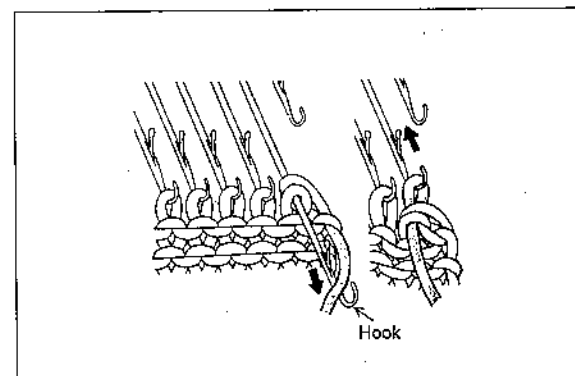


4-3 Decreasing several stitches

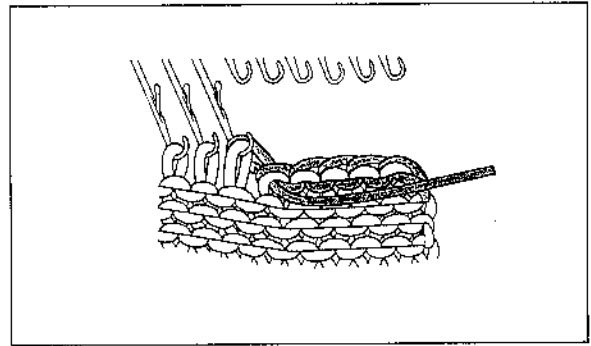
- 1) On the carriage side, using the Transfer Tool, transfer the stitch on 2nd needle onto the edge needle.
- 2) Transfer the double stitches on the edge needle inside one needle, and bring backward the empty needle to position A.



- 3) Pass the yarn under the stem of the first needle in position E as shown in the figure.



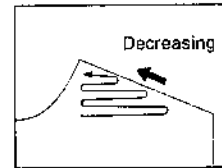
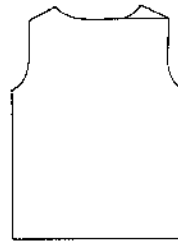
- Repeat the process from Step 1 to Step 3.
(But the last stitch is done until Step 2.)



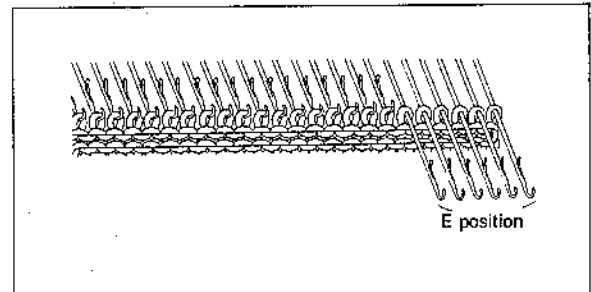
(5) PARTIAL KNITTING

5-1 Decreasing stitches

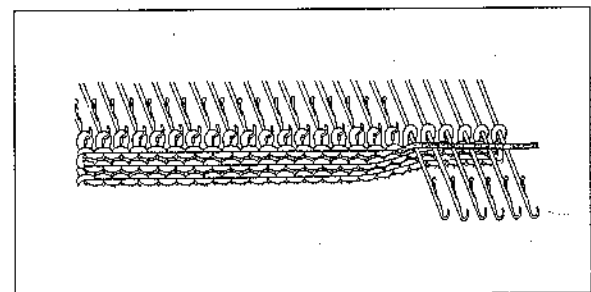
When knit the decreasing part for example shoulder, neck opening, and so on, set the Holding Cam Lever of the K-Carriage to position H.



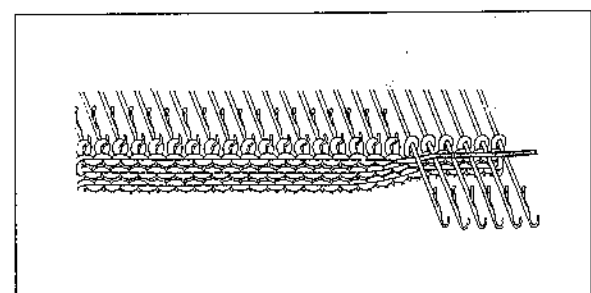
- On the opposite side of the carriage, bring forward the needles which you want to decrease to position E.



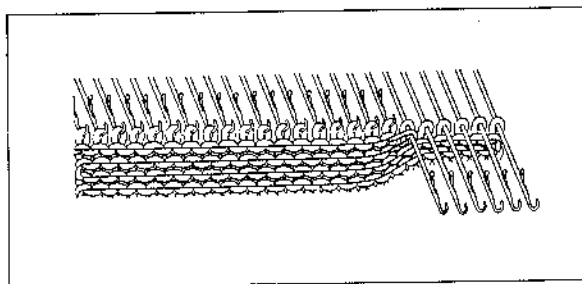
- Knit one row. The needles in position B are knitted, and in position E the yarn will pass on the needles.



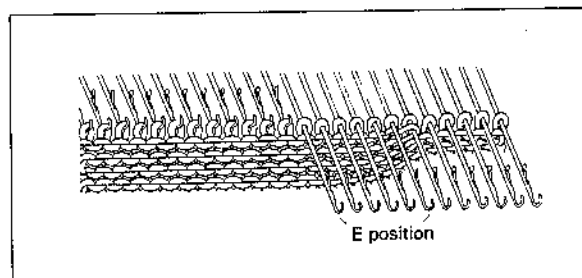
- Pass the yarn under the stem of the first needle on position E as shown in the figure.



4) Knit one row.

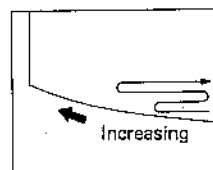
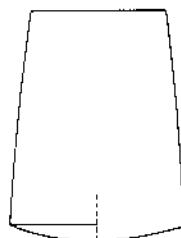


5) Continually move the needles to decrease to position E, and repeat the process from Step 1 to Step 4.

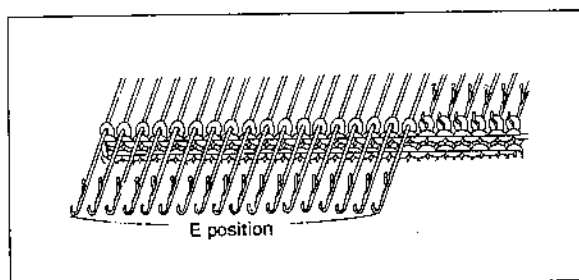


5-2 Increasing stitches

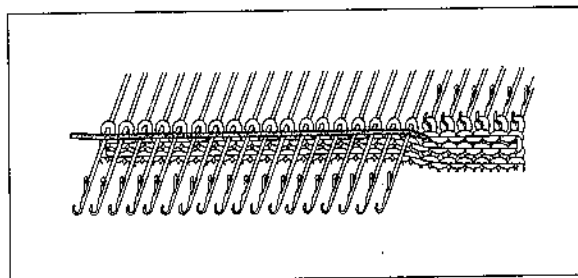
When knit the increasing part for example the hem line of skirt, set the Holding Cam Lever of the K-Carriage to position H.



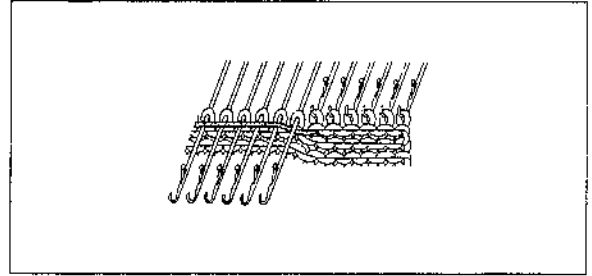
1) On the opposite side of the carriage, bring the needles not to be knitted forward position E.



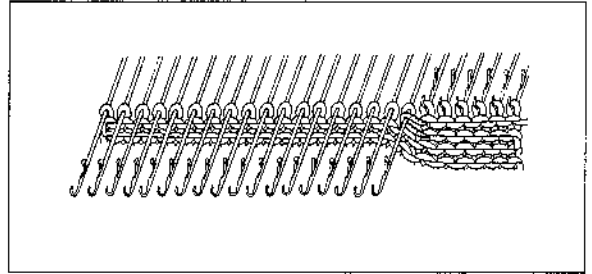
2) Knit one row, and the needles in position B are knitted, not in position E.



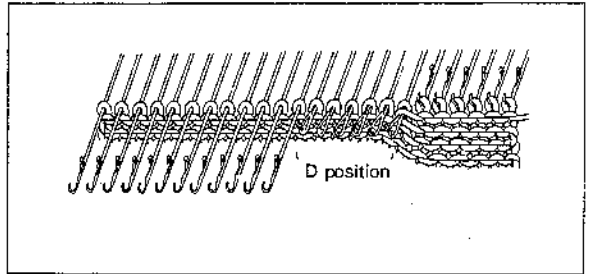
3) Pass the yarn under the stem of the first needles in position E.



4) Knit one row.

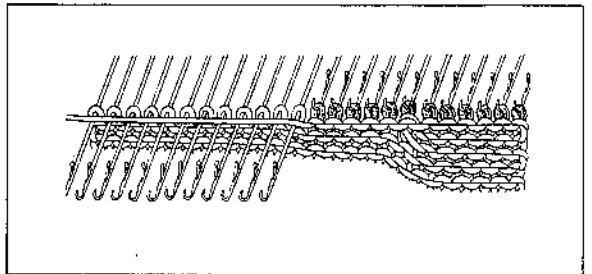


5) Manually bring backward the needles to be increased from position E to D.



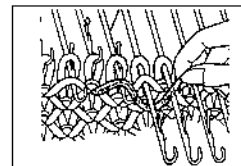
6) Knit one row, and the needles which you brought to position D are knitted.

7) Repeat the process from Step 3 to Step 6.



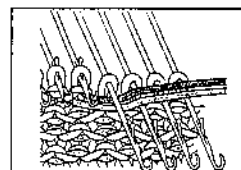
IN CASE OF TUCK STITCH PATTERN

If the end needle is selected to position D, pass the yarn on the hook of it before pass it under the stem of the next needle.



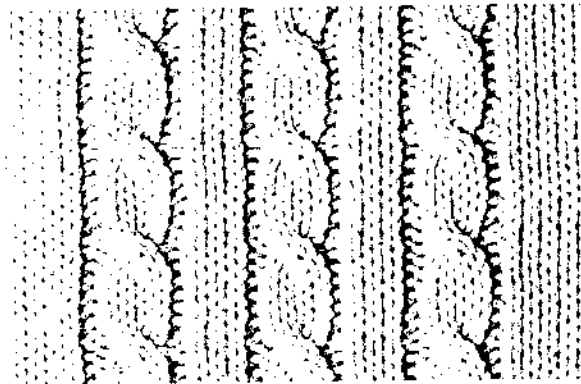
IN CASE OF FAIR-ISLE AND WEAVING PATTERN

Pass the second colour yarn or weaving yarn under the stem with the main yarn.

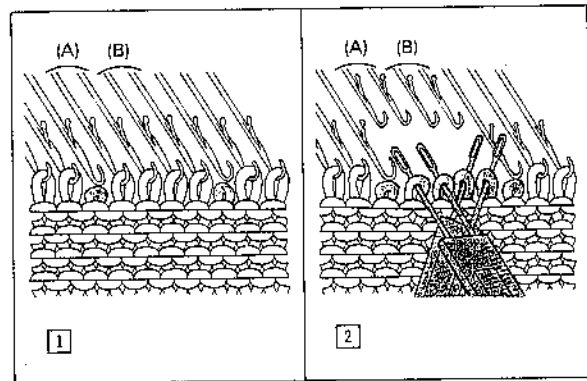


(6) CABLE STITCH PATTERN

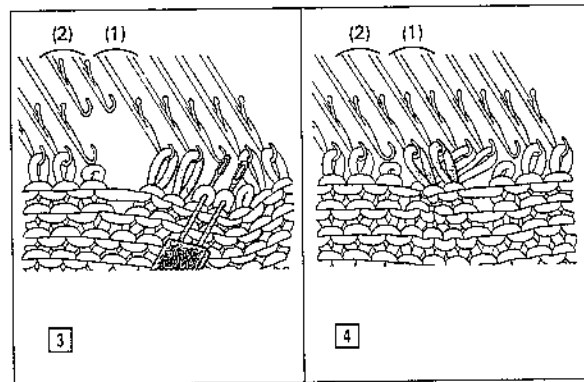
The cable stitch pattern is knitted by crossing the stitches by using the Transfer Tool.
The following example is knitted by two two eyed Transfer Tools.



- 1) Knit several rows and remove the adjacent stitches of both outside stitches where you wish the cable stitch pattern.
- 2) Pick up each two stitches by two Transfer Tools.



- 3) Transfer the stitches (A) to (1) position.
- 4) Transfer the stitches (B) to (2) position.
- 5) Repeat this process.



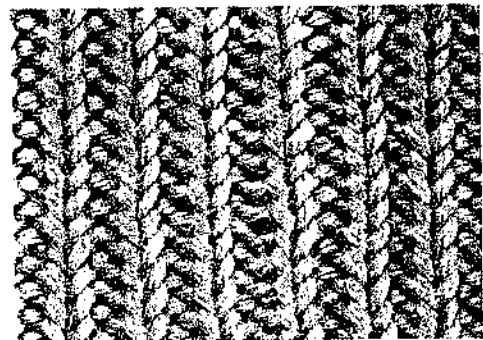
(7) RIBBING STITCHES (1 x 1 rib)

The 1 x 1 rib is alternating with one right and one purl stitch in one row.

It is used for waist bands, cuffs, collars and so many positions.

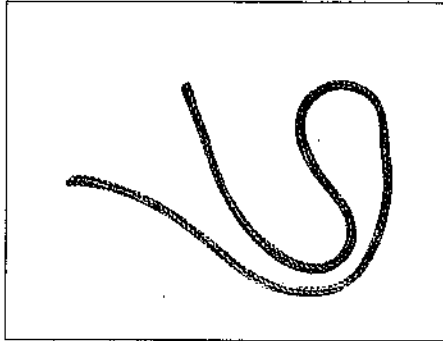
Refer to page "HOW TO USE THE LATCH TOOL".

Alter the purl stitch into the right one on every other needle using Latch Tool.



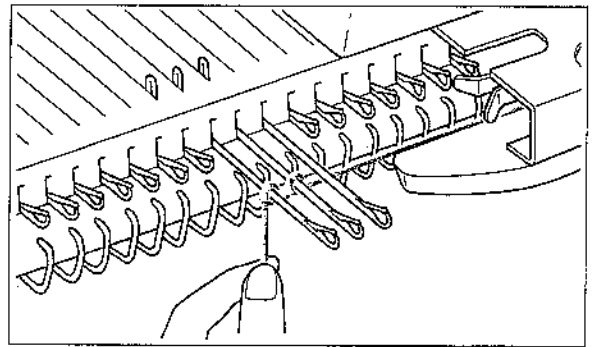
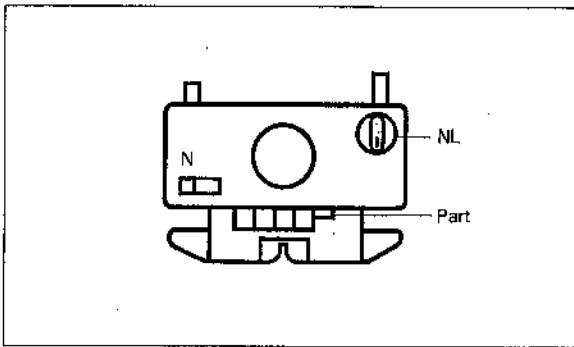
(8) TUBE KNITTING

The tube knitting is a kind of Skip stitch knitting. Seamless tube can be knitted.

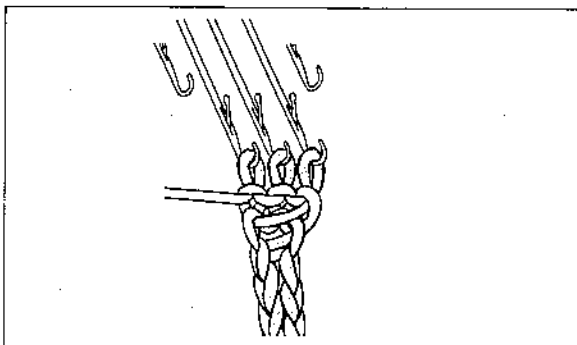


1) Place the K-Carriage at the right side of the machine and push the right or left of Part Button. (Set the Tension Dial at one number low than the original tension.)

2) Case-on 3 or 4 needles by hand method.



3) Pull down the fabric by left hand, and operate the carriage.

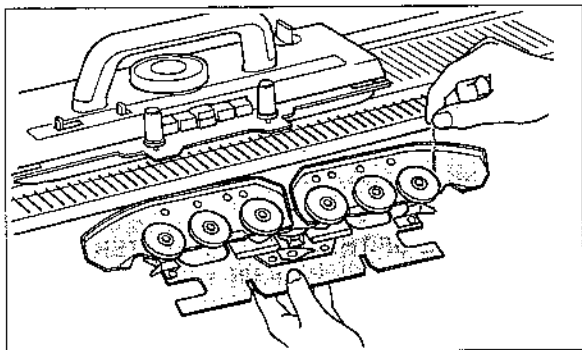


USEFUL HINTS

IF THE CARRIAGE SHOULD JAM IN CASE OF PLAIN KNITTING

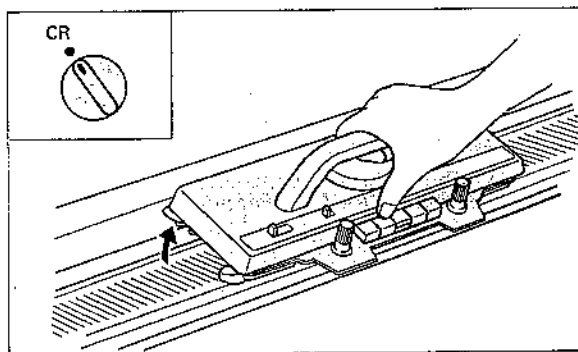
1) Do not move the carriage by forth. Take the yarn out of the Yarn Feeder and loosen the knob to remove the Sinker Plate Assembly.

* If the yarn has entangled in the rubber wheels remove it from them.

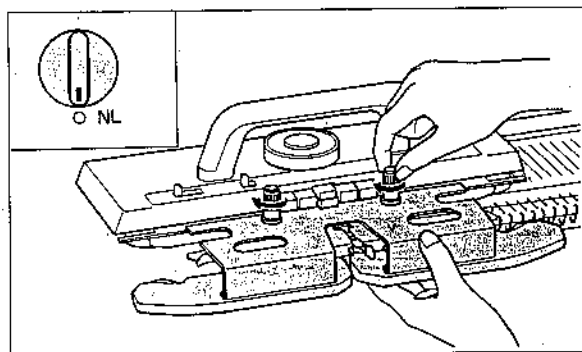


2) Set the Change Knob to position CR to release the K-Carriage.

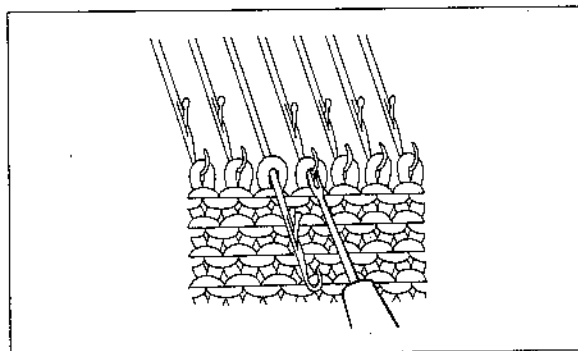
Then lift it up toward you to remove.



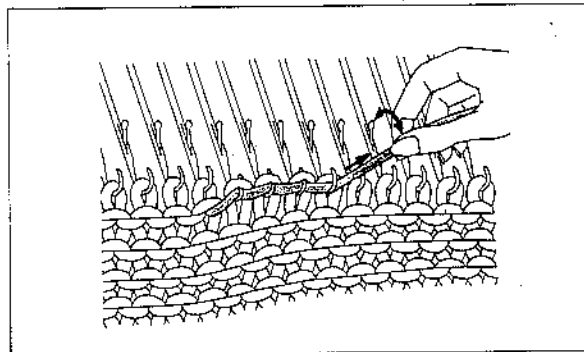
3) Return the Change Knob to the position NL. Set the Sinker Plate Assembly onto the K-Carriage. Then place the K-Carriage on the Needle Bed correctly from the edge as the moving direction will be the same as before.



4) Put the stitches in the hooks of the needles again if they are out of the hooks by using the Transfer Tool. Adjust the needles to position B.



5) Unravel a row of the knitting by pulling the yarn slightly sideways and up.

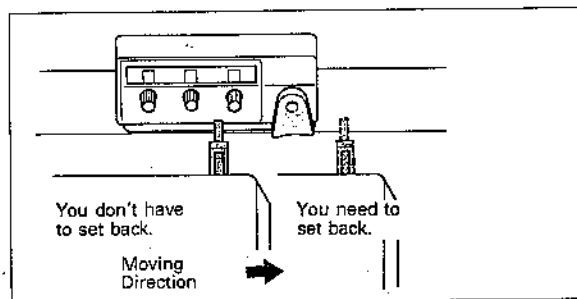


6) After unravelling the knitting make sure that the stitches are in the hooks of the needles.

Take up the slack of the yarn.

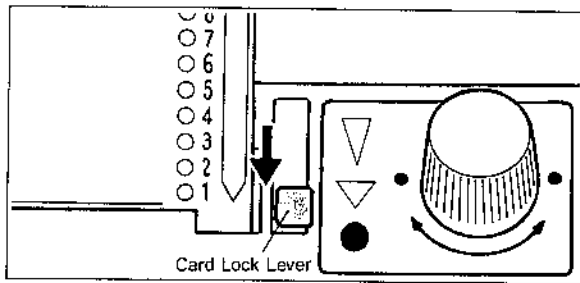
If the carriage is the Opposite side of the yarn end, move the carriage with both Part Buttons pressed. Then start knitting again.

* Set back the number of the Row Counter, if necessary.

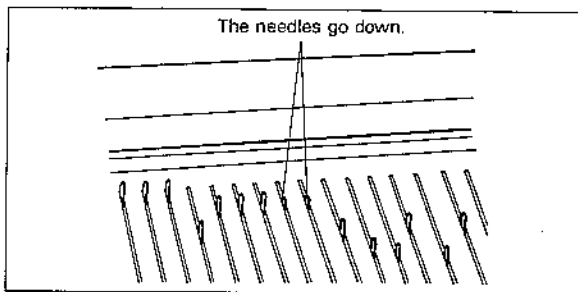


IN CASE OF PATTERN KNITTING

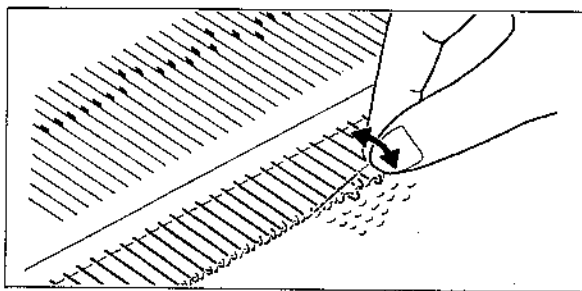
1) Set the Card Lock Lever at ● mark.



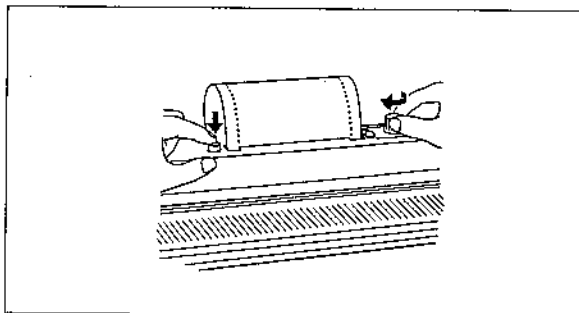
* If there are some needles which go down in the Needle Bed, push the Card Feeding Button to bring them up.



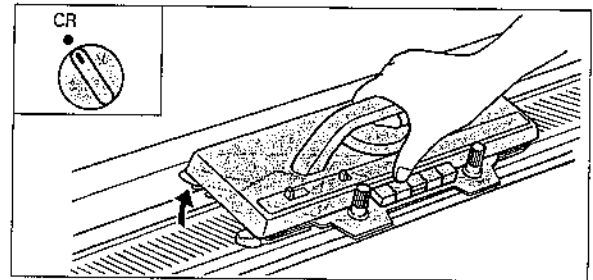
3) Refer to the explanation of Plain Knitting adjust the needles and unravell the the knitting.



5) Feed back the Punch Card according to the number of unravelling.



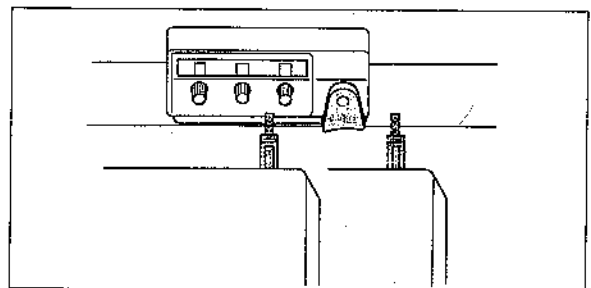
2) Take out the yarn and the Sinker Plate Assembly. Then remove the K-Carriage.



IN CASE OF THREAD LACE PATTERN

You don't have to release the Cam Buttons in removing the K-Carriage. If you should release them, push the buttons again after you take off the K-Carriage without sliding it.

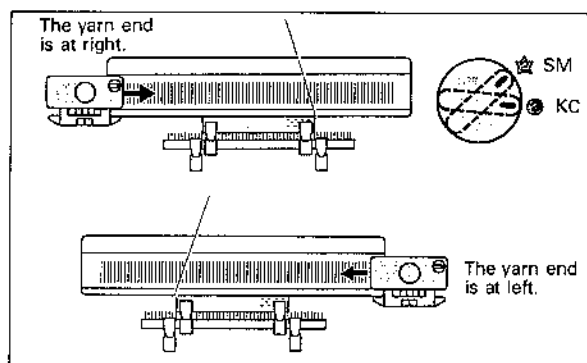
4) Set back the number of the Row Counter, if necessary.



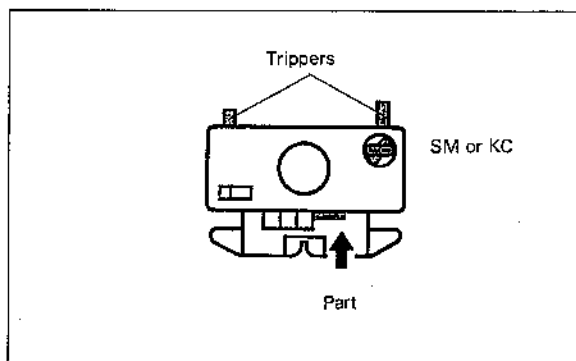
IN CASE OF DOUBLE LENGTH PATTERN FEED BACK THE CARD AS THE FOLLOWING CHART

Number of Unravelling rows	Direction in which the Carriage has been moved	
	Rewind the Punch card 0 step (s)	Rewind the Punch card 1 step (s)
1	1	1
2	1	2
3	2	2
4	2	3
5	3	3
6	3	4
·	·	·
·	·	·

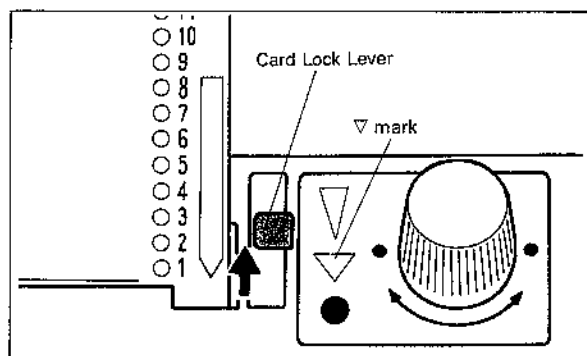
6) Set the Change Knob to KC or SM Position and place the carriage on the needle bed from the opposite side of the yarn end.



7) Push both Part Buttons and move the carriage to yarn end's side. The needles shall be selected. (Set the Trippers to non-working position.)

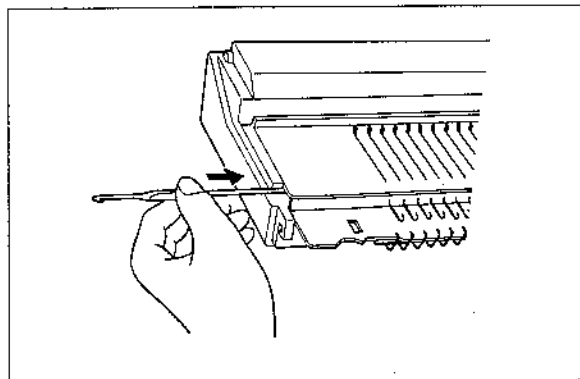


8) Thread the yarn
Set the Card Lock Lever at ∇ mark and set the carriage to the position of pattern knitting as before.
(Do not forget to set the Trippers to working position again.)
Then start knitting.

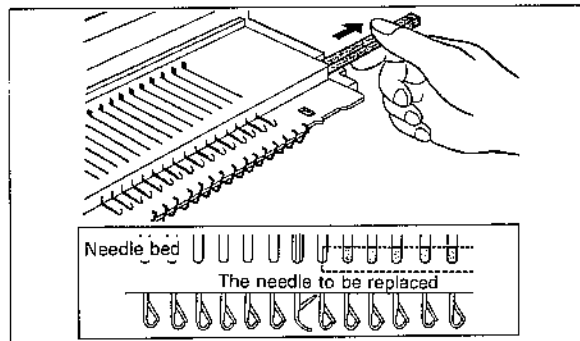


REPLACING A NEEDLE

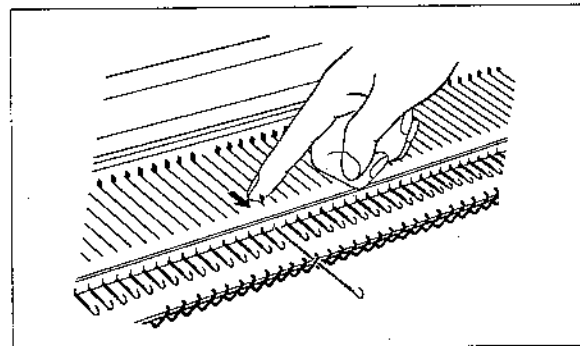
1) Push the sponge bar with the handle of the Crochet Needle.



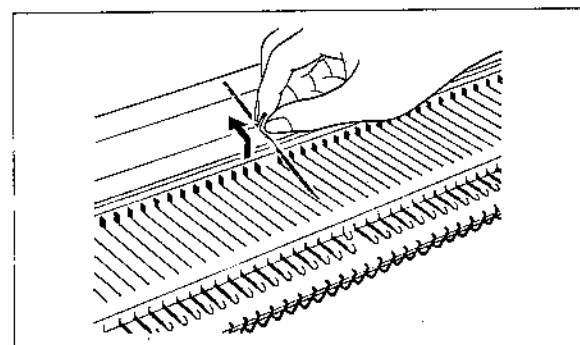
2) Draw it by hand until the edge of the sponge bar pass through the needle to be replaced.



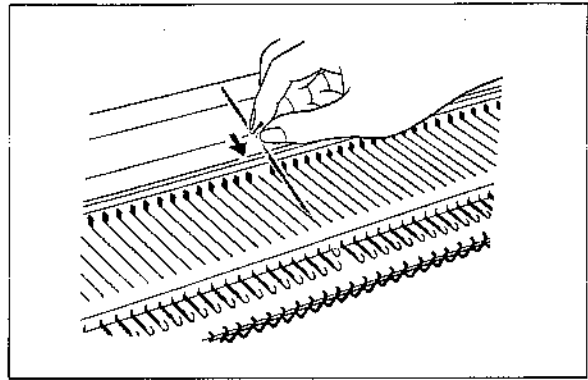
3) Push the needle forward position E.



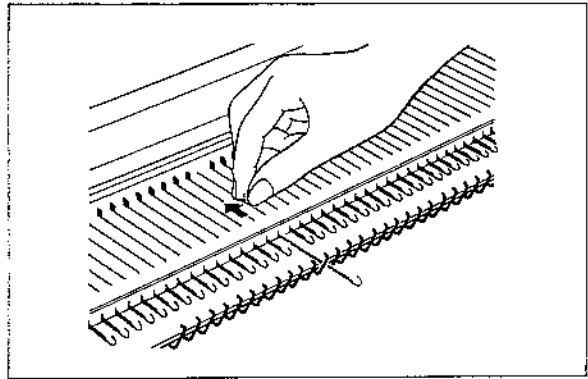
4) Push down the hook of the needle until shank end of the needle rises clear from the needle bed.
Take the wrong needle out of the needle bed.



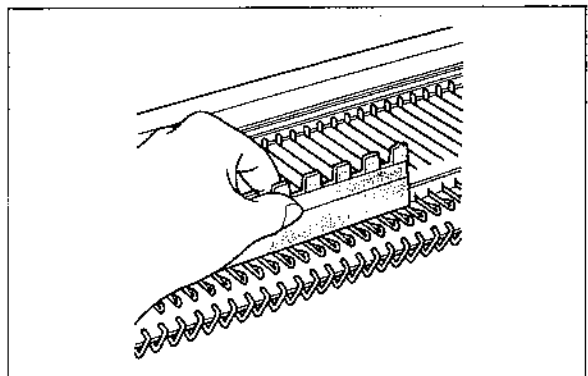
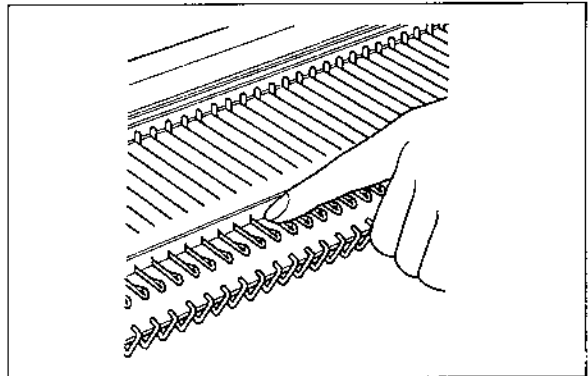
5) Replace it with a new needle and insert a new needle toward position E.



6) Push the needle back to position A.

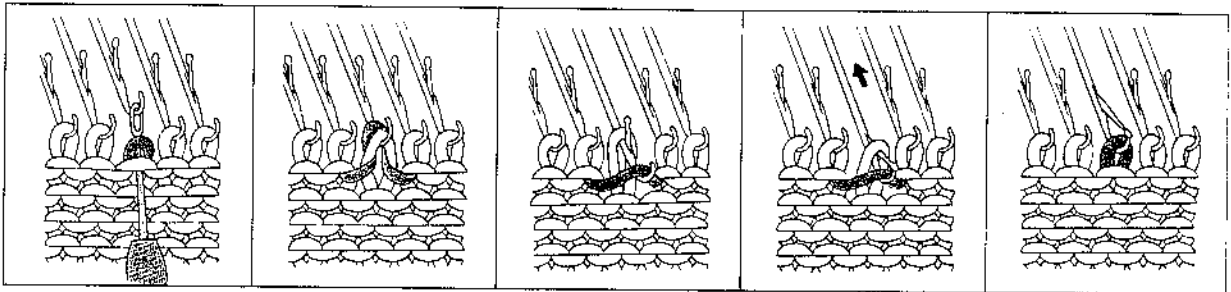


7) Push the sponge bar back holding the hook of the needles down with your hand or needle pusher.

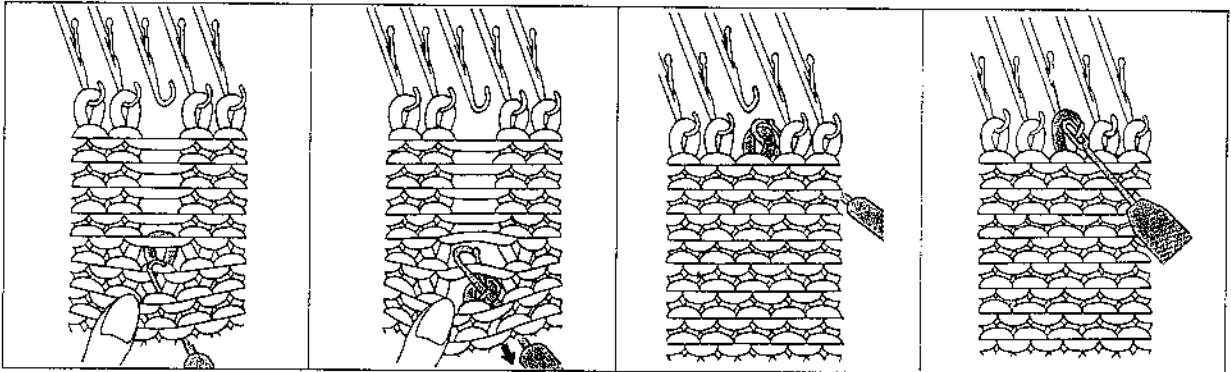


PICKING UP A DROPPED STITCH

Using the transfer tool, pick up the stitch (the row below the dropped stitch) and make up the stitch by hook the loop to the needle.



Picking up a stitch that has dropped several rows



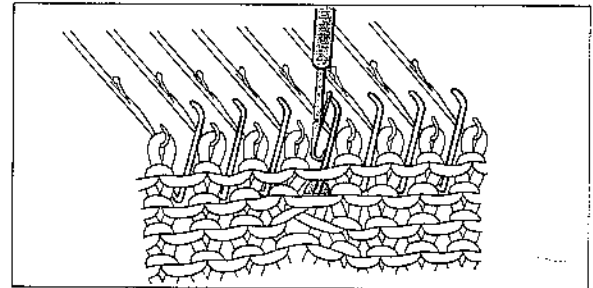
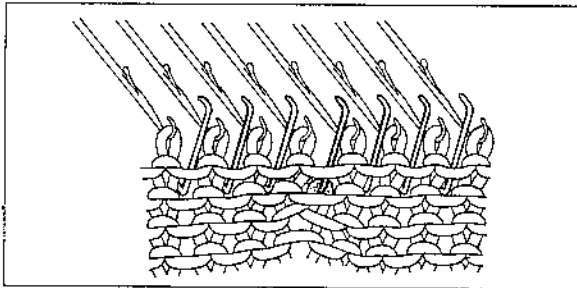
1) Using the Latch Tool, over the knitting, hook the stitch and make the stitch row by row.

2) Transfer the stitch from the Latch Tool to Transfer Tool at the last row, and hook the stitch to needle.

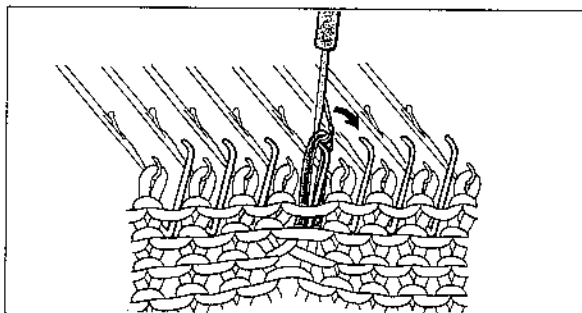
IF THE GATE PEGS CATCH THE YARN

If the yarn remains caught by the gate pegs, it is difficult to knit.

1) Bring the Latch Tool with the latch toward you.

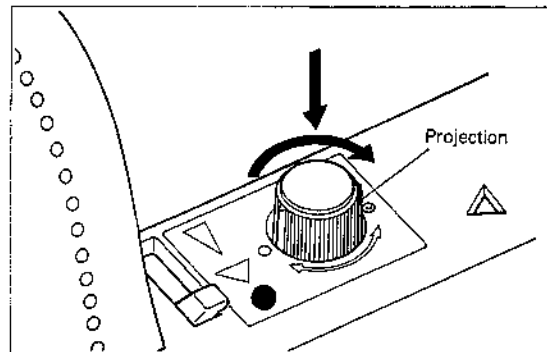
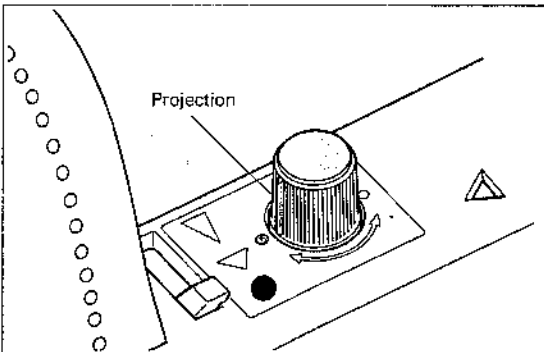


2) Hook the yarn caught by the gate pegs and remove it over the gate pegs.



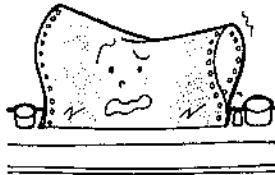
How to check if the needles are selected correctly

- 1) Set the projection of the Card Feeding Knob at \Rightarrow mark on the Panel without pushing it.
- 2) Push the Card Feeding Knob and turn it to the arrow direction one hundred eighty degrees. Then the card shall be fed back for seven rows and you can see the perforations of the pattern you are knitting.

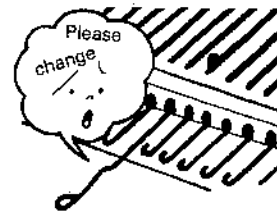


Check following points if the needles are not selected correctly...

Is the card set correctly?



Are there any wrong needles?

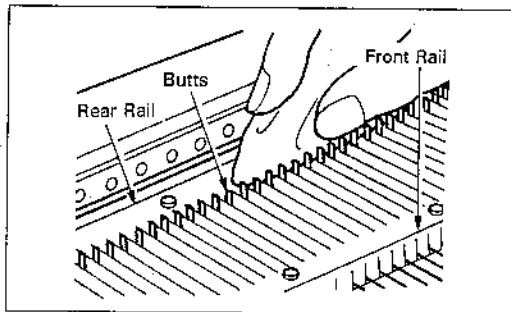
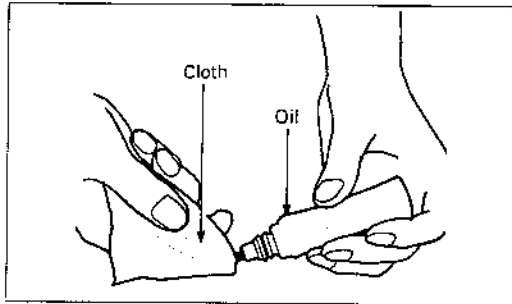


MAINTENANCE

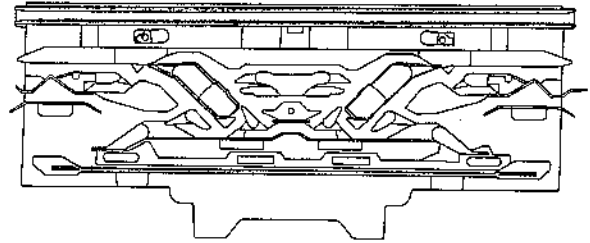
Cleaning and oiling is the key to keep your machine in a good condition and to knit smoothly

*Brush away any dusts and lints on the Needle Position Indicator.

*Wipe the following parts with oiled cloth if you use the machine after it has not been used for a long time.



- Needle bed
- Butts of the needles
- Front and Rear rails of the needle bed
- Back side of the carriage (- part of the illustration as below)

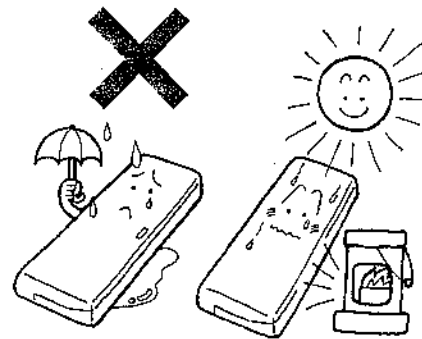
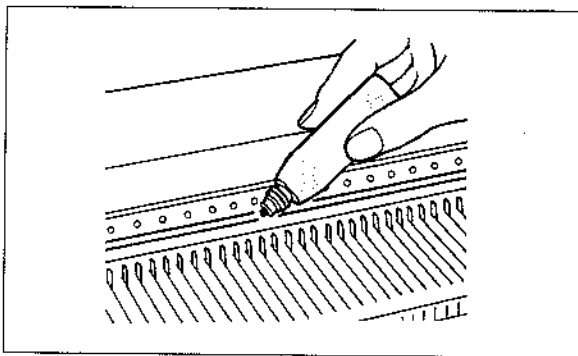


*Do not oil the machine directly.

*Wipe the plastic parts with soft cloth using neutral detergents solution.

*Do not use alcohol, benzine, thinner nor gasoline.

*Do not leave the machine in a location near heat sources, nor in a place used at direct sunlight, excessive dust nor moisture.

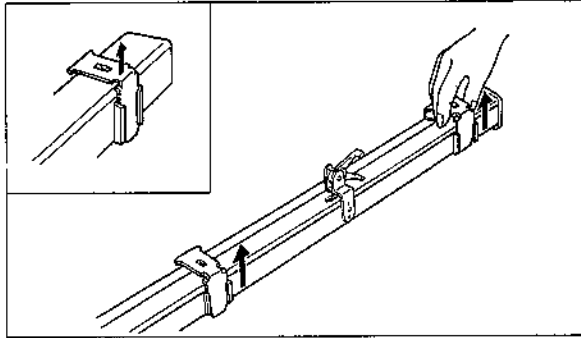


*When you use the machine again after you leave it for a long time, you'd better knit 20 ~ 30 rows with old yarn to clean up soiled oil.

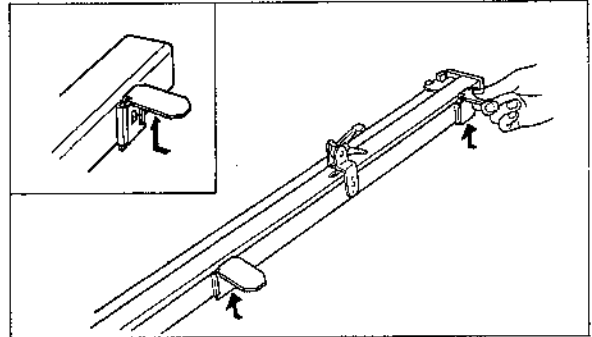
KNITTING BY USING THE KNIT-LEADER

HOW TO SET UP YOUR KNIT-LEADER

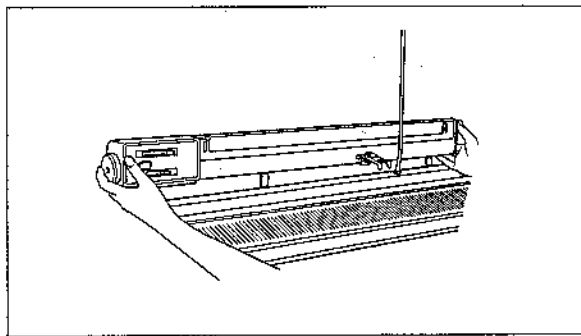
1) Take the Knit-leader out of the case and pull out both Setting Plates.



2) Insert the Setting Plates in each Setting Plates Holder.



3) Put the Setting Plates in to the slots at the back of the knitting machine. (Refer to the Instruction Manual of KL-116.)



TENSION AND KNITTING A TENSION SWATCH

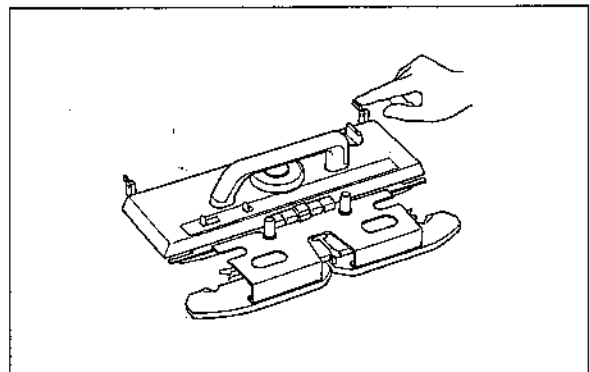
The size of the stitch is determined by the tension setting on the Carriage Tension Dial, the thickness, material and the brands of wool.

In order to knit a garment to the correct size of your pattern you need to know the size of the stitch.

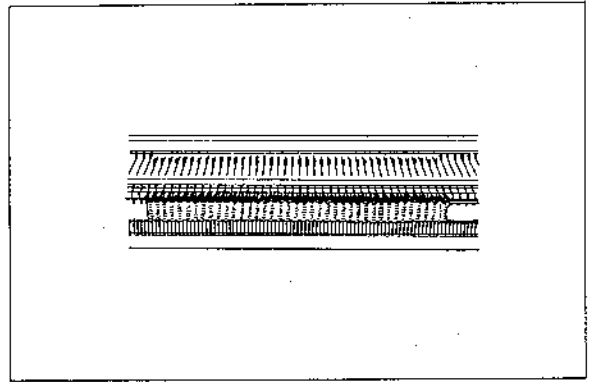
Before you start knitting, you should make a sample of the tension swatch and measure the length of 30 rows and 20 stitch of it.

Followings are the way to knit a tension swatch.

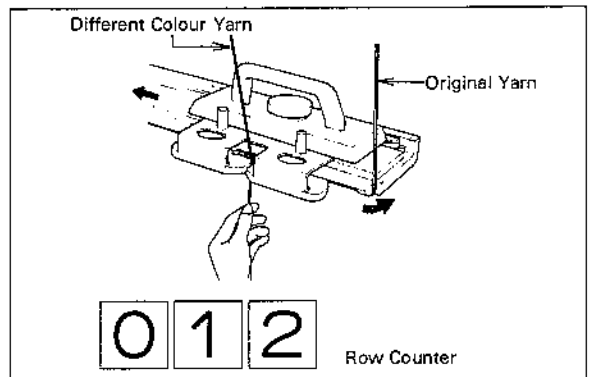
1) Set the Row Counter number 000.
Set the Row Counter Tripper and Knit-leader Tripper to working position.



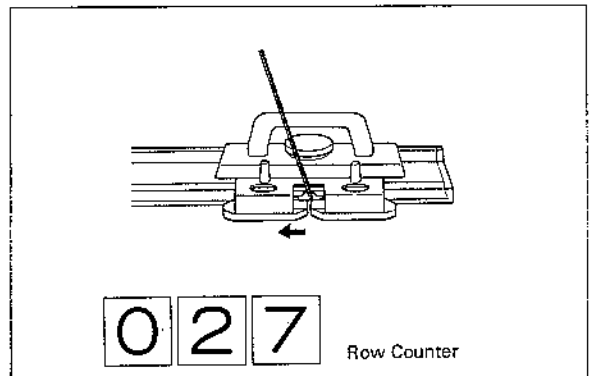
2) Bring forward 40 needles (20 needles on either side of center mark) to position B, and knit ten rows with original yarn.



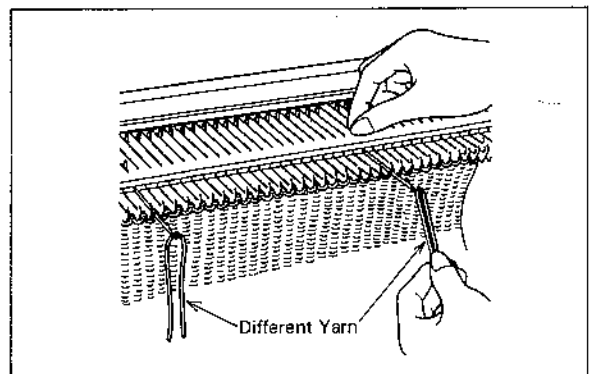
3) Remove the original yarn and knit 2 rows with different colour yarn. The Row Counter is 012.



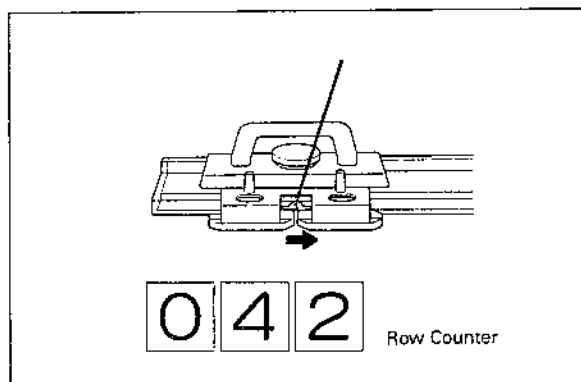
4) Re-thread the original yarn and knit 15 rows. The Row Counter is 027.



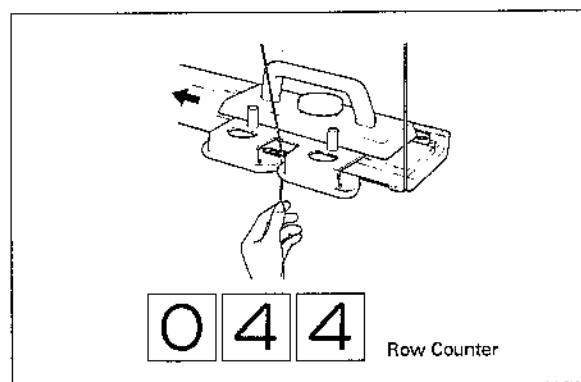
5) Bring forward both 11th needles from the center to position E. Hook the different yarn into the 2 needles and make stitches as shown in the figure.



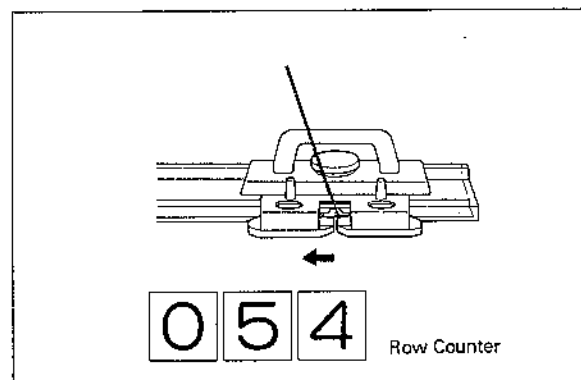
- 6) Continually knit 15 rows again.
The Row Counter is 042.



- 7) Remove the original yarn and knit 2 rows with
different colour yarn.
The Row Counter is 044.



- 8) Re-thread the original yarn and knit 10 rows.
The Row Counter is 054.
9) Remove the swatch from the knitting machine.



How to set the Regulators

After you apply steam to the swatch with a steam iron, set the regulators.

- 1) Measure the height of 30 rows (inside of different colour yarn).
- 2) Measure the width of 20 stitches (inside of 2 different colour stitches). Set the Stitch Measure Scale included in the accessories.

